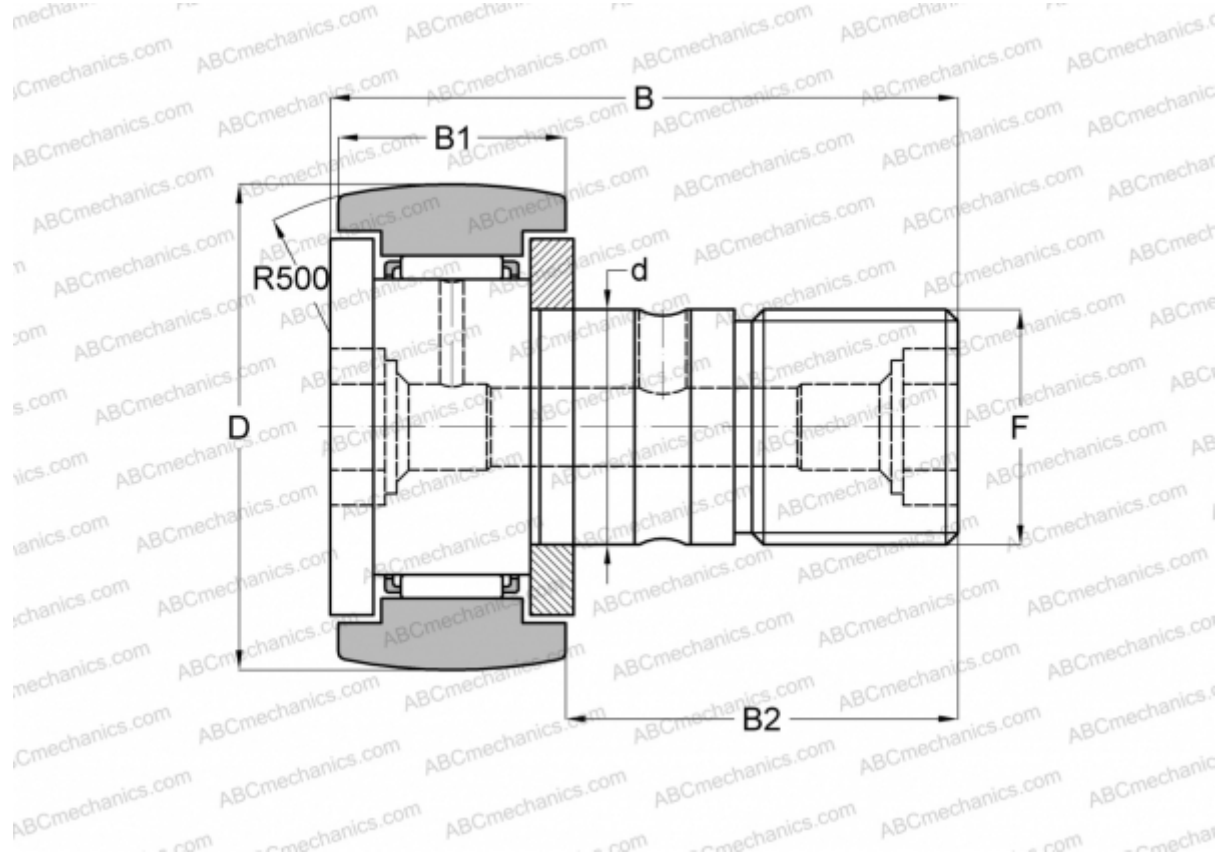


CF 10-1 RM IKO

Cam followers

TYPE: Roller bearings, Stud type track rollers, With axial guidance, gap seals on both side



Technical specification

DIMENSIONS, MM

d	10,000
D	26,000
B	36,200
B1	12,000
B2	23,000
F	M10x1

WEIGHT, KG 0,060

MANUFACTURER [IKO](#)

INTERCHANGE

ABC	KR 26
INA	KR 26
SKF	KR 26 B
McGill	MCFR-26

INTERCHANGE

FAG [KR 26](#)

CALCULATION DATA

Basic dynamic load rating, C 5,430 kN

Basic static load rating, Co 6,890 kN