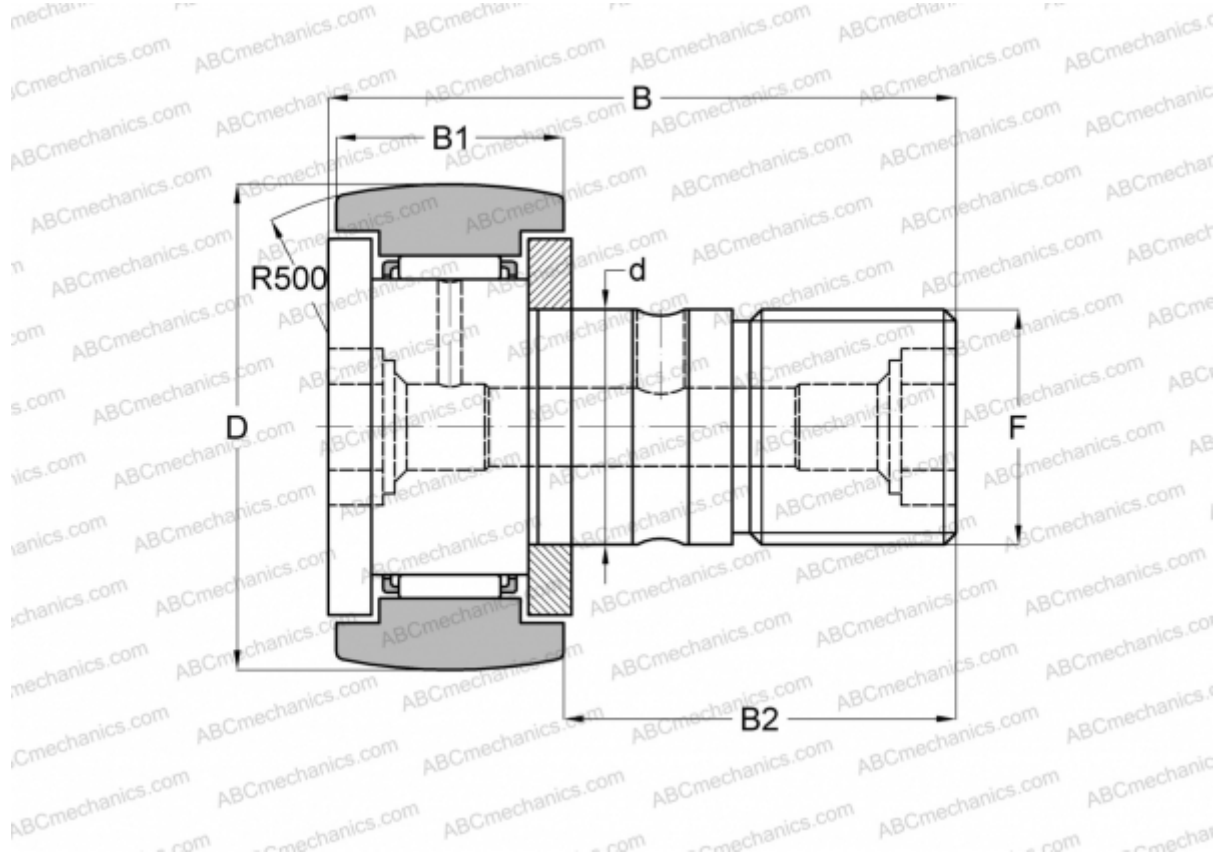


MCFR-22A McGill

Cam followers

TYPE: Roller bearings, Stud type track rollers, With axial guidance, gap seals on both side



Technical specification

DIMENSIONS, MM

| | |
|----|----------|
| d | 10,000 |
| D | 22,000 |
| B | 36,200 |
| B1 | 12,000 |
| B2 | 23,000 |
| F | M10x1.25 |

WEIGHT, KG 0,045

MANUFACTURER [McGill](#)

INTERCHANGE

| | |
|-----|-------------------------|
| ABC | CF 10 R |
| IKO | CF 10 R |