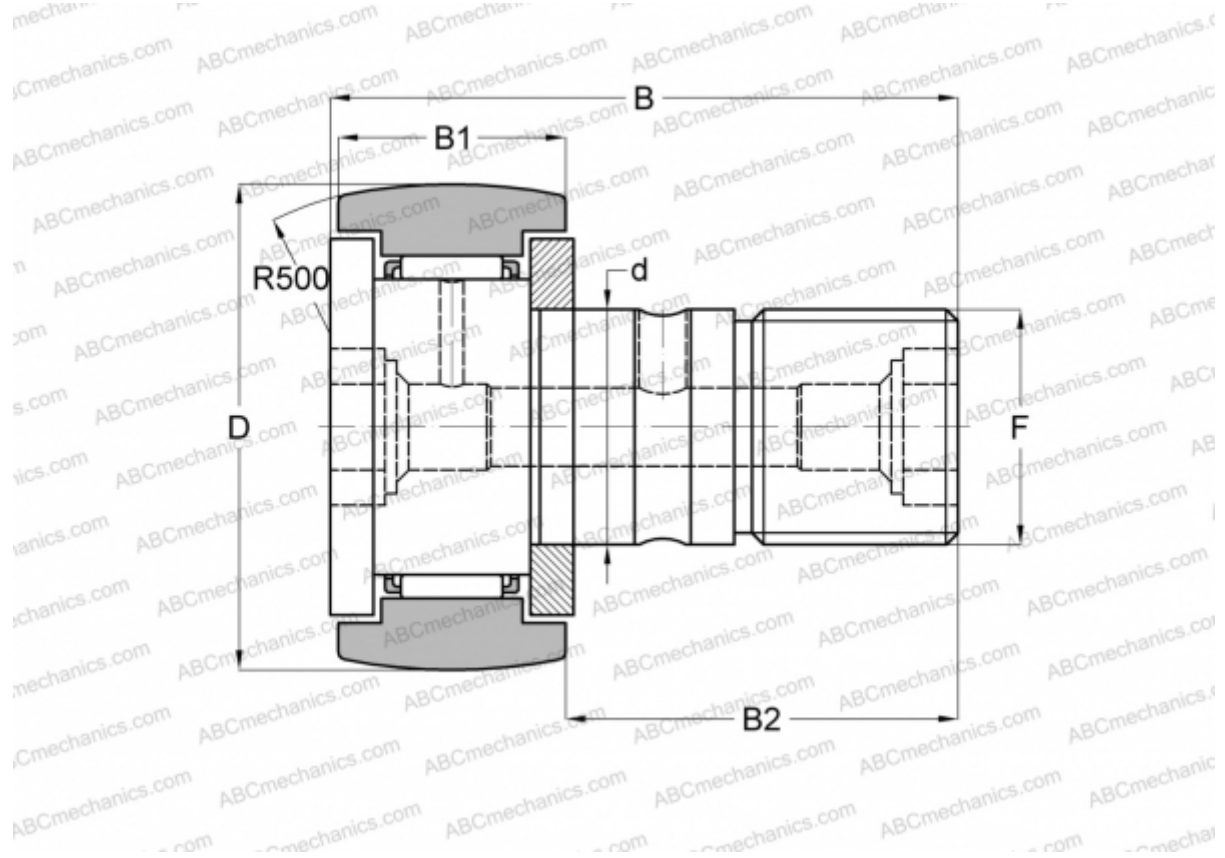


KR 30 ABC

Cam followers

TYPE: Roller bearings, Stud type track rollers, With axial guidance, gap seals on both side



Technical specification

DIMENSIONS, MM

| | |
|----|---------|
| d | 12,000 |
| D | 30,000 |
| B | 40,000 |
| B1 | 14,000 |
| B2 | 25,000 |
| F | M12x1.5 |

WEIGHT, KG 0,091

MANUFACTURER [ABC](#)

INTERCHANGE

| | |
|--------|-------------------------|
| INA | KR 30 |
| SKF | KR 30 B |
| IKO | CF 12 R |
| McGill | MCFR-30 |

INTERCHANGE

| | |
|-----|-----------------------|
| FAG | KR 30 |
|-----|-----------------------|