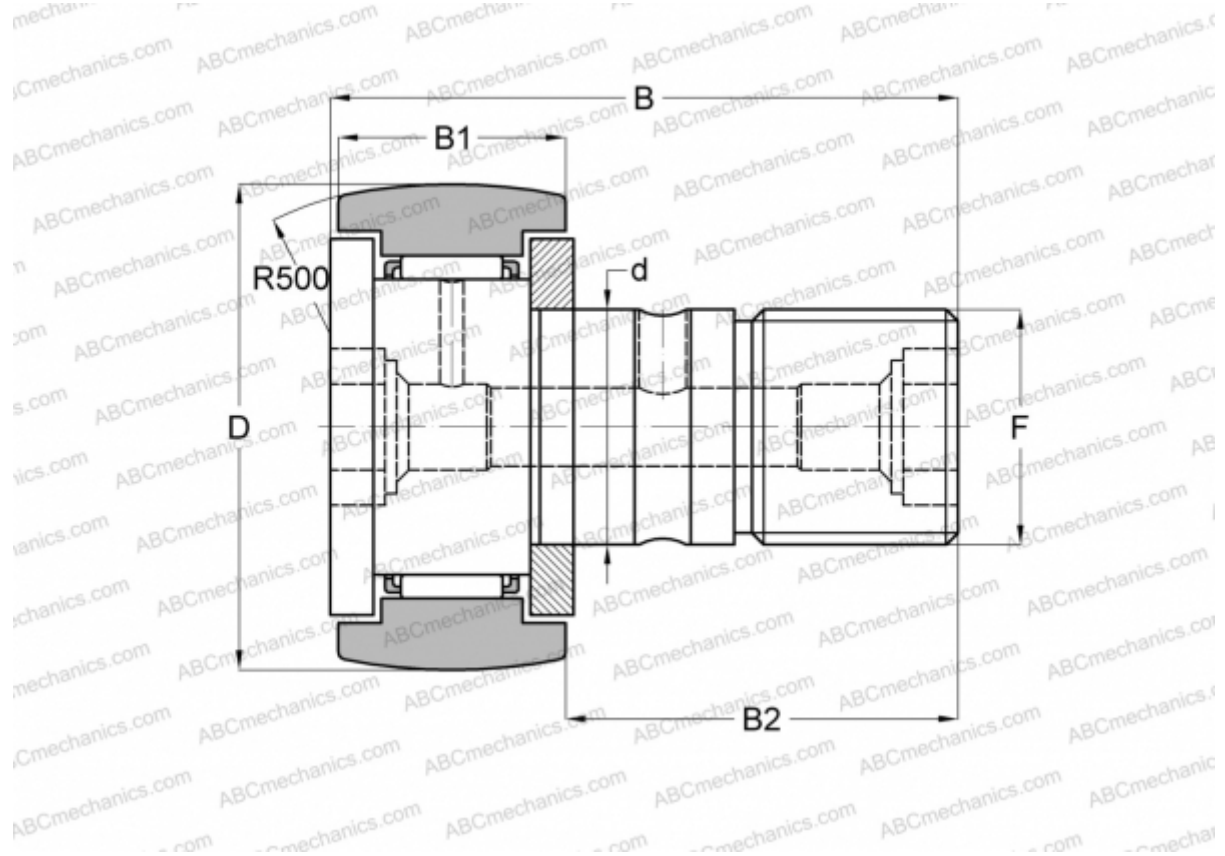


## KR 30 B SKF

Cam followers

TYPE: Roller bearings, Stud type track rollers, With axial guidance, gap seals on both side



### Technical specification

#### DIMENSIONS, MM

d	12,000
D	30,000
B	40,000
B1	14,000
B2	25,000
F	M 12x1.5

**WEIGHT, KG** 0,092

**MANUFACTURER** [SKF](#)

#### INTERCHANGE

ABC	<a href="#">KR 30</a>
INA	<a href="#">KR 30</a>
IKO	<a href="#">CF 12 R</a>
McGill	<a href="#">MCFR-30</a>

#### INTERCHANGE

FAG [KR 30](#)

#### CALCULATION DATA

Basic dynamic load rating, C	6,440 kN
Basic static load rating, Co	8,000 kN
Fatigue load limit, Pu	0,880 kN
Limiting speed	4800 r/min