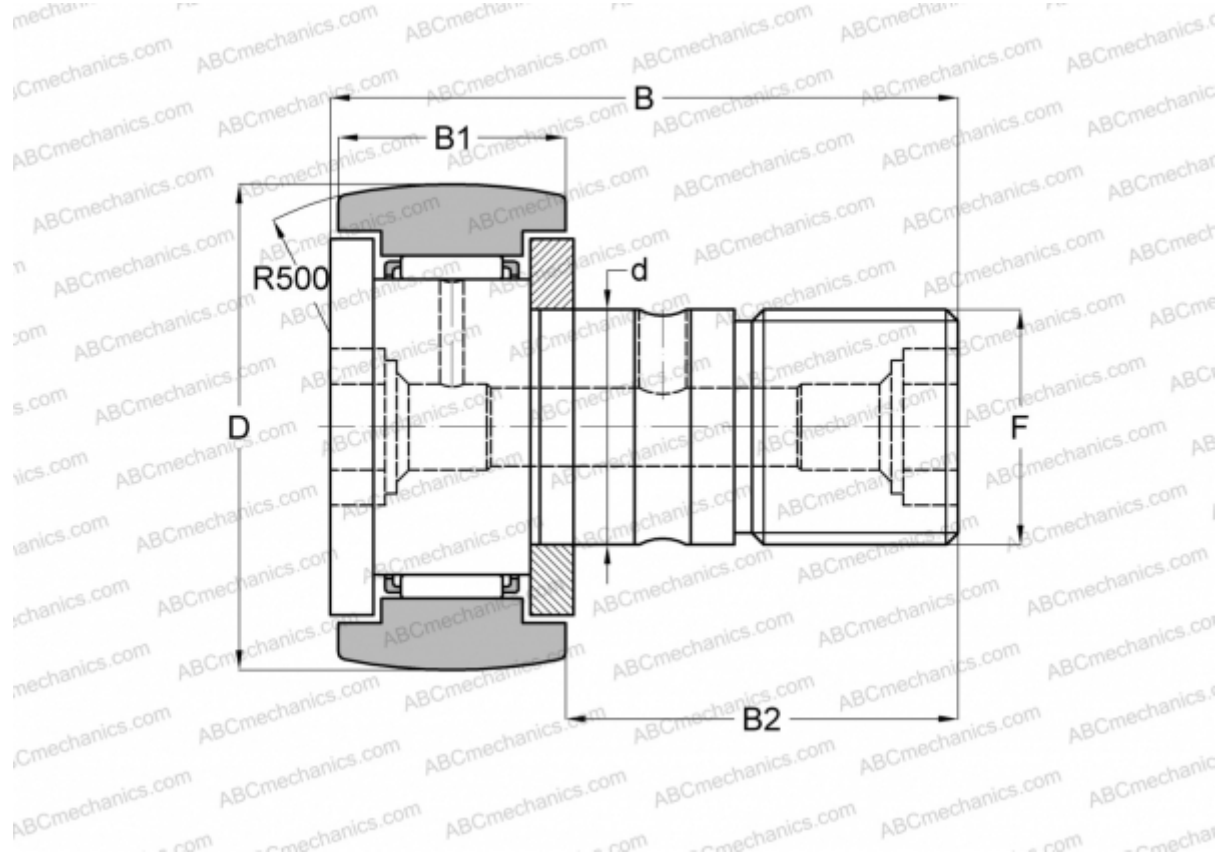


CF 12 R IKO

Cam followers

TYPE: Roller bearings, Stud type track rollers, With axial guidance, gap seals on both side



Technical specification

DIMENSIONS, MM

d	12,000
D	30,000
B	40,200
B1	14,000
B2	25,000
F	M12x1.5

WEIGHT, KG 0,095

MANUFACTURER [IKO](#)

INTERCHANGE

ABC	KR 30
INA	KR 30
SKF	KR 30 B
McGill	MCFR-30

INTERCHANGE

FAG [KR 30](#)

CALCULATION DATA

Basic dynamic load rating, C 7,910 kN

Basic static load rating, Co 9,790 kN