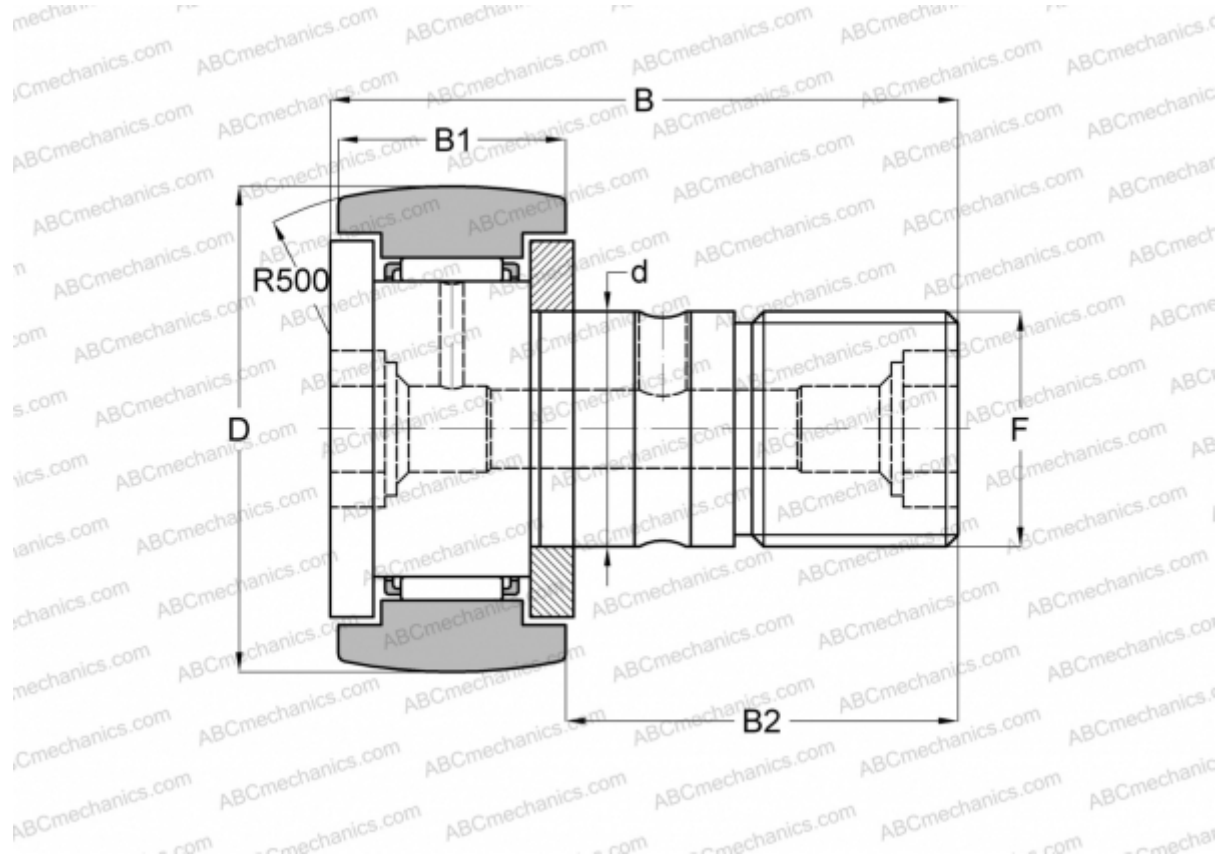


MCFR-30 McGill

Cam followers

TYPE: Roller bearings, Stud type track rollers, With axial guidance, gap seals on both side



Technical specification

DIMENSIONS, MM

d	12,000
D	30,000
B	40,000
B1	14,000
B2	25,000
F	M12x1.5

WEIGHT, KG 0,091

MANUFACTURER [McGill](#)

INTERCHANGE

ABC	KR 30
INA	KR 30
SKF	KR 30 B
IKO	CF 12 R

INTERCHANGE

FAG [KR 30](#)