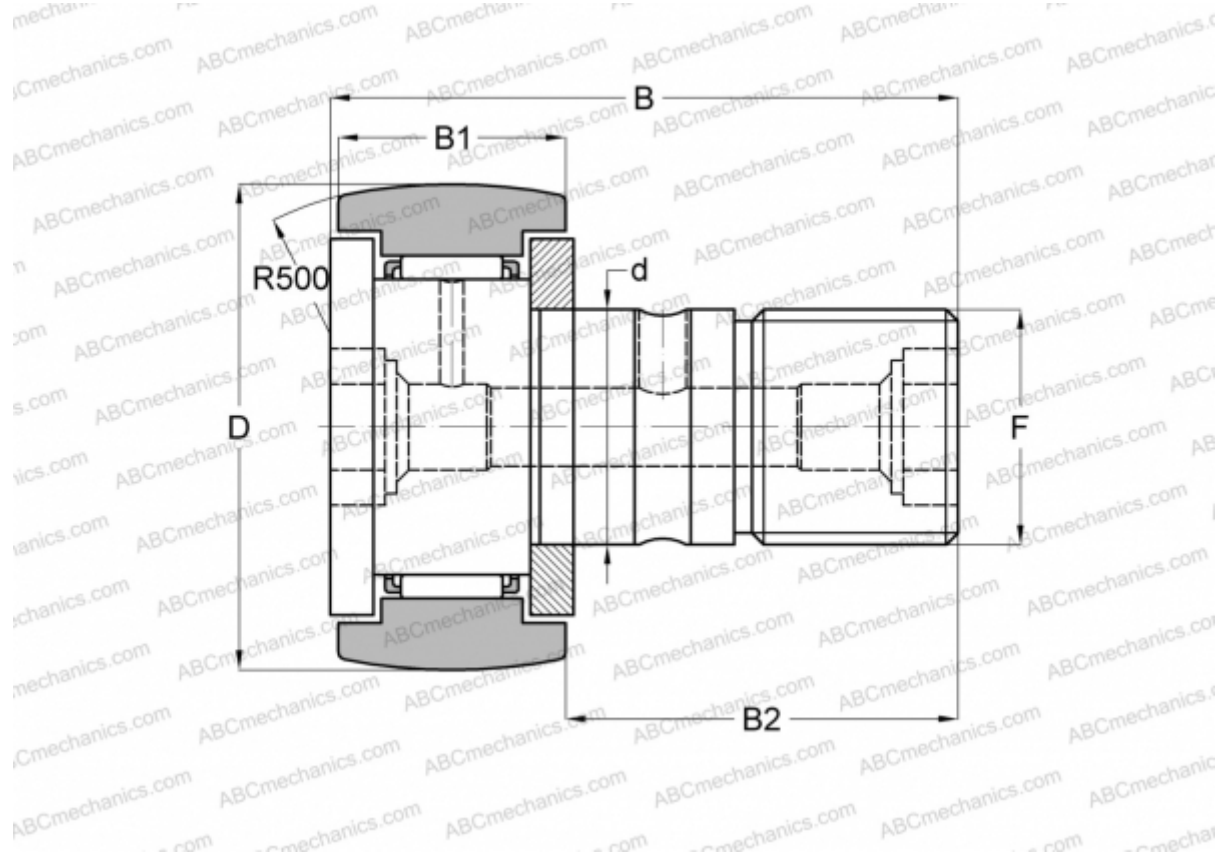


## KR 30 FAG

Cam followers

TYPE: Roller bearings, Stud type track rollers, With axial guidance, gap seals on both side



### Technical specification

#### DIMENSIONS, MM

d	12,000
D	30,000
B	40,000
B1	14,000
B2	25,000
F	M12x1.5

**WEIGHT, KG** 0,091

**MANUFACTURER** [FAG](#)

#### INTERCHANGE

ABC	<a href="#">KR 30</a>
INA	<a href="#">KR 30</a>
SKF	<a href="#">KR 30 B</a>
IKO	<a href="#">CF 12 R</a>

#### INTERCHANGE

McGill [MCFR-30](#)