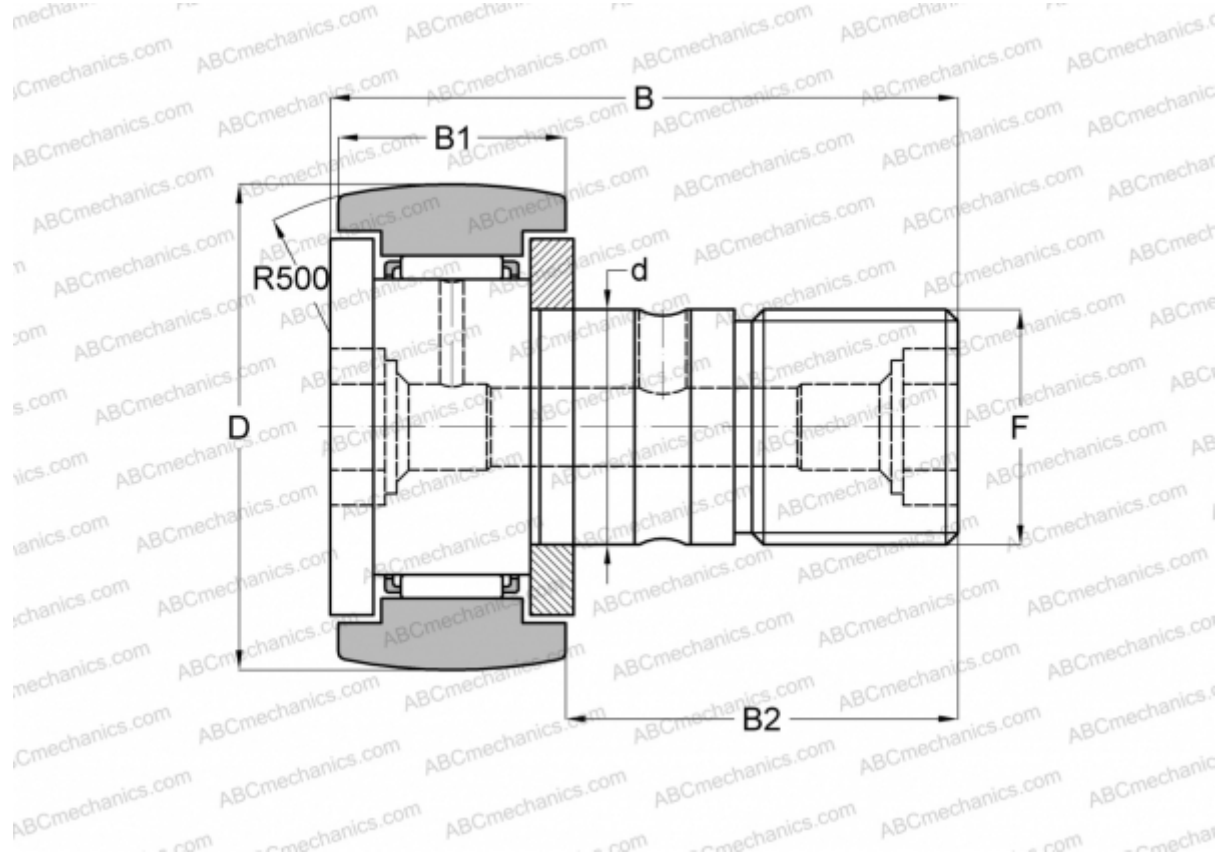


## KR 32 INA

Cam followers

TYPE: Roller bearings, Stud type track rollers, With axial guidance, gap seals on both side



### Technical specification

#### DIMENSIONS, MM

|    |         |
|----|---------|
| d  | 12,000  |
| D  | 32,000  |
| B  | 40,000  |
| B1 | 14,000  |
| B2 | 25,000  |
| F  | M12x1.5 |

**WEIGHT, KG** 0,100

**MANUFACTURER** [INA](#)

#### INTERCHANGE

|        |                           |
|--------|---------------------------|
| ABC    | <a href="#">KR 32</a>     |
| SKF    | <a href="#">KR 32 B</a>   |
| IKO    | <a href="#">CF 12-1 R</a> |
| McGill | <a href="#">MCFR-32</a>   |

#### INTERCHANGE

|     |                       |
|-----|-----------------------|
| FAG | <a href="#">KR 32</a> |
|-----|-----------------------|