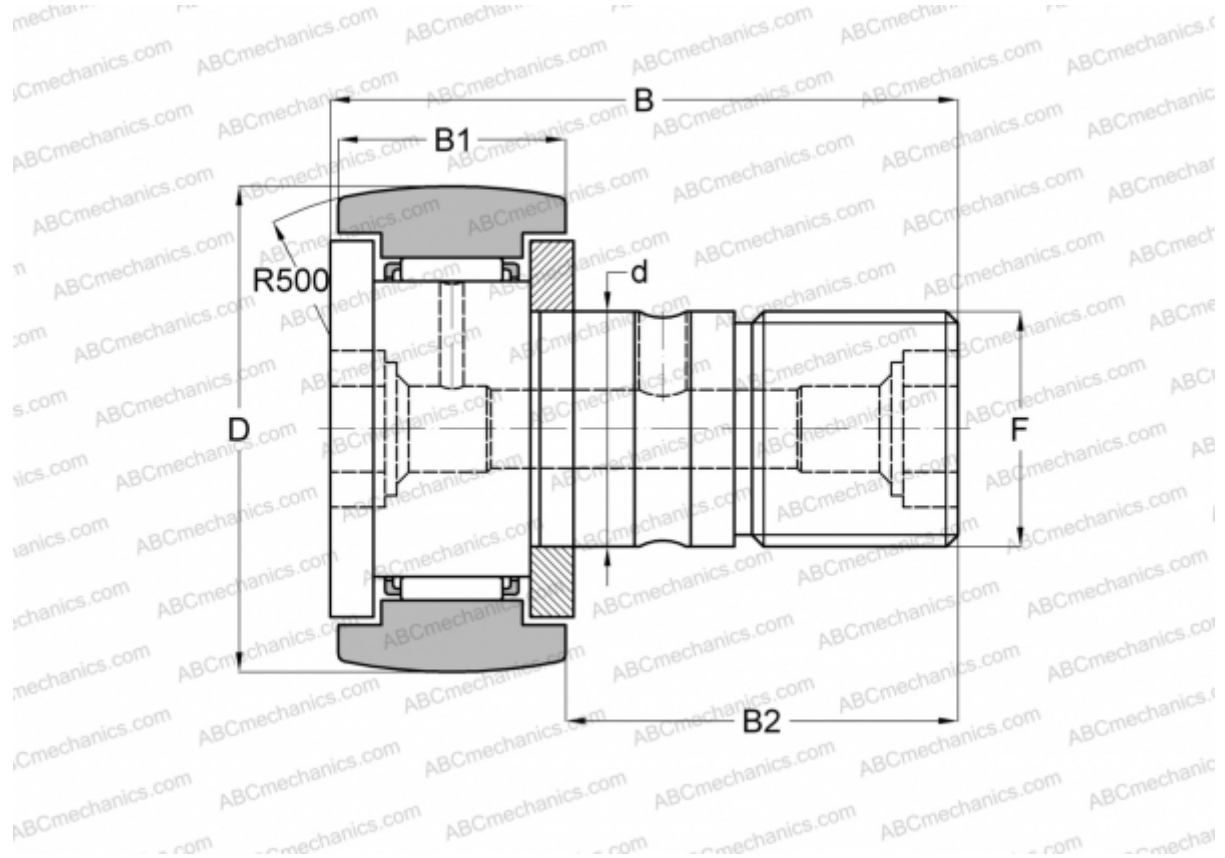


KR 32 B SKF

Cam followers

TYPE: Roller bearings, Stud type track rollers, With axial guidance, gap seals on both side



Technical specification

DIMENSIONS, MM

d	12,000
D	32,000
B	40,000
B1	14,000
B2	25,000
F	M 12x1.5

WEIGHT, KG 0,103

MANUFACTURER [SKF](#)

INTERCHANGE

ABC	KR 32
INA	KR 32
IKO	CF 12-1 R
McGill	MCFR-32

INTERCHANGE

FAG [KR 32](#)

CALCULATION DATA

Basic dynamic load rating, C	6,710 kN
Basic static load rating, Co	8,500 kN
Fatigue load limit, Pu	0,950 kN
Limiting speed	4800 r/min