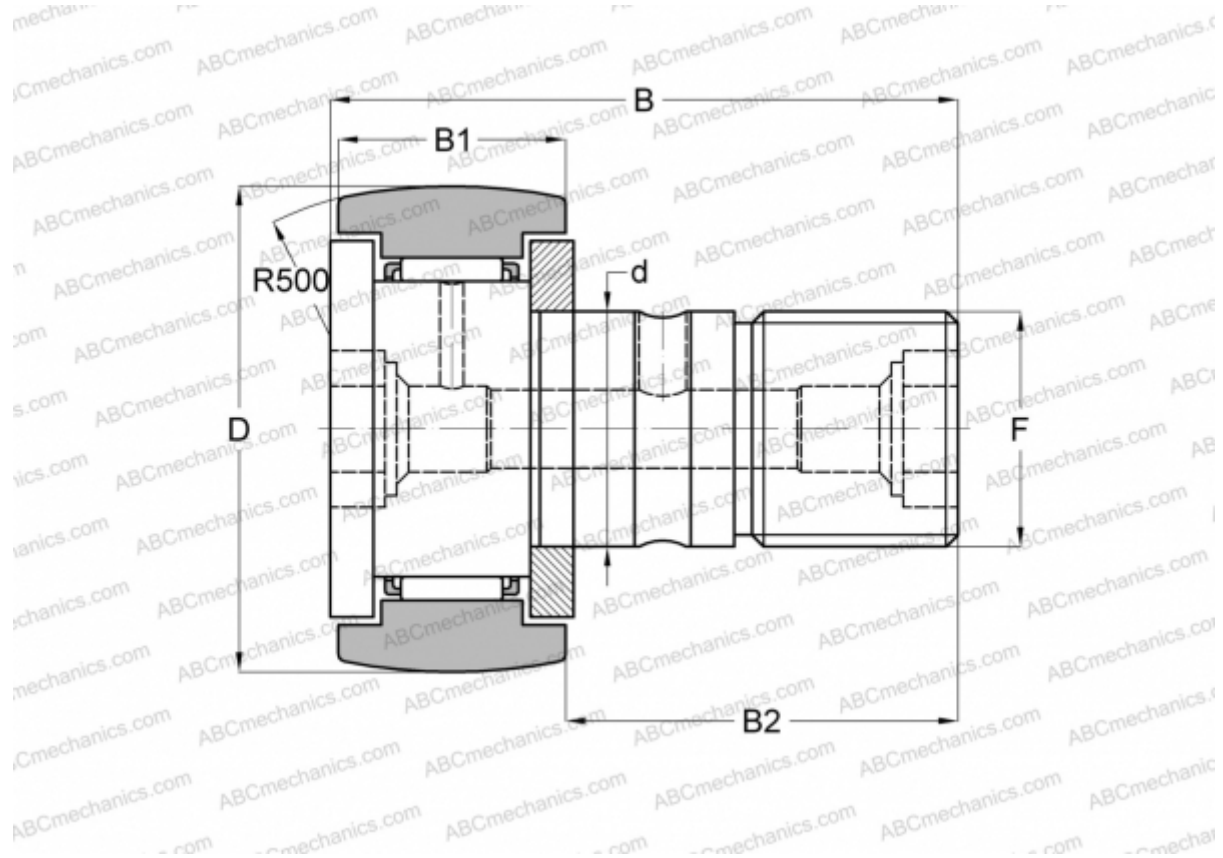


MCFR-32 McGill

Cam followers

TYPE: Roller bearings, Stud type track rollers, With axial guidance, gap seals on both side



Technical specification

DIMENSIONS, MM

d	12,000
D	32,000
B	40,000
B1	14,000
B2	25,000
F	M12x1.5

WEIGHT, KG 0,100

MANUFACTURER [McGill](#)

INTERCHANGE

ABC	KR 32
INA	KR 32
SKF	KR 32 B
IKO	CF 12-1 R

INTERCHANGE

FAG	KR 32
-----	-----------------------