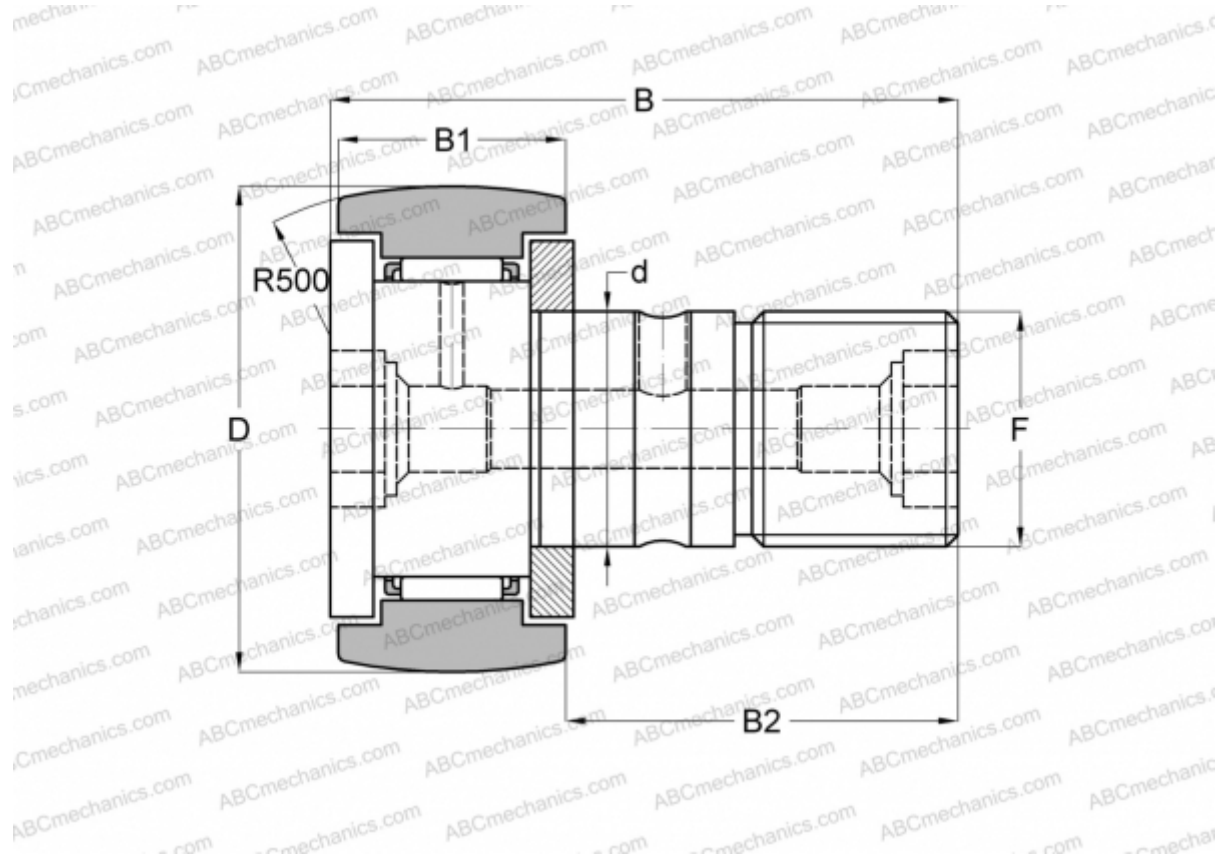


## KR 35 INA

Cam followers

TYPE: Roller bearings, Stud type track rollers, With axial guidance, gap seals on both side



### Technical specification

#### DIMENSIONS, MM

d	16,000
D	35,000
B	52,000
B1	18,000
B2	32,500
F	M16x1.5

**WEIGHT, KG** 0,177

**MANUFACTURER** [INA](#)

#### INTERCHANGE

ABC	<a href="#">KR 35</a>
SKF	<a href="#">KR 35 B</a>
IKO	<a href="#">CF 16 R</a>
McGill	<a href="#">MCFR-35</a>