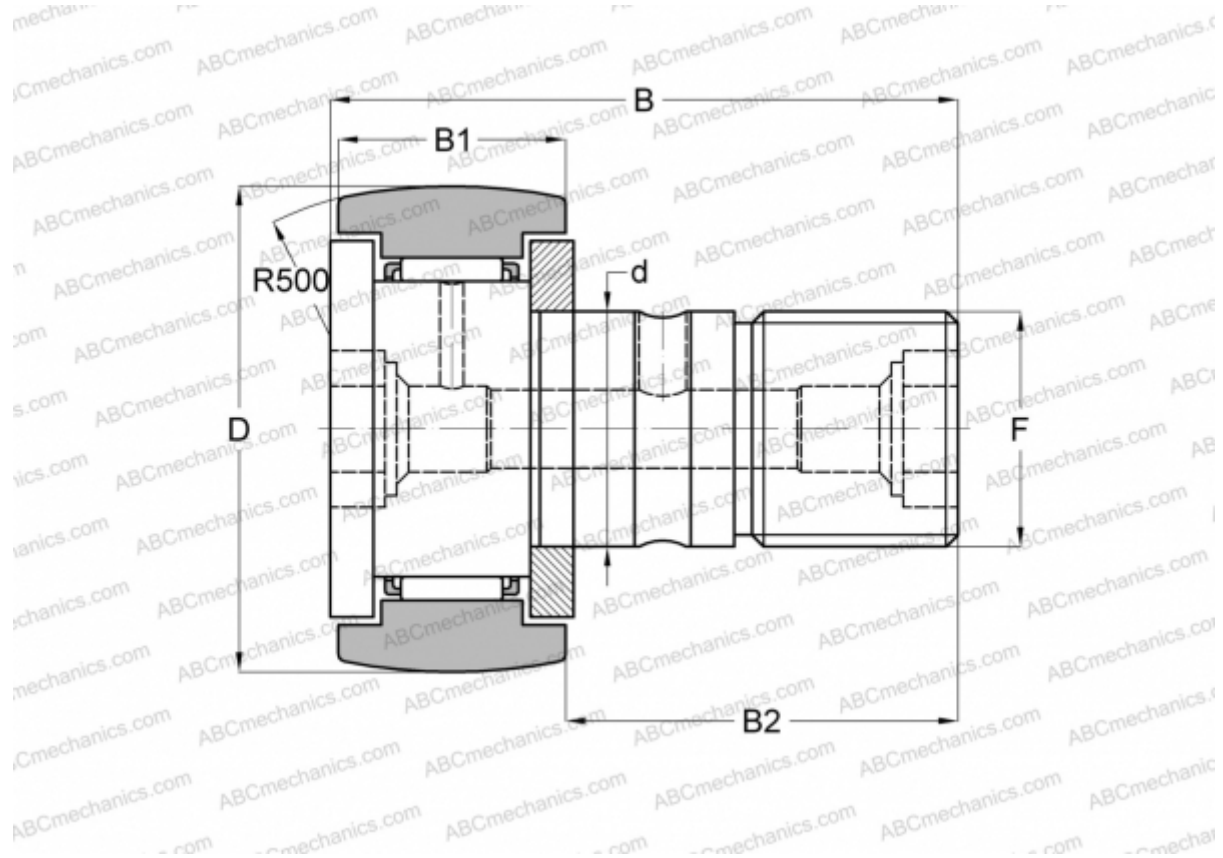


MCFR-35 McGill

Cam followers

TYPE: Roller bearings, Stud type track rollers, With axial guidance, gap seals on both side



Technical specification

DIMENSIONS, MM

d	16,000
D	35,000
B	52,000
B1	18,000
B2	32,500
F	M16x1.5

WEIGHT, KG 0,177

MANUFACTURER [McGill](#)

INTERCHANGE

ABC	KR 35
INA	KR 35
SKF	KR 35 B
IKO	CF 16 R