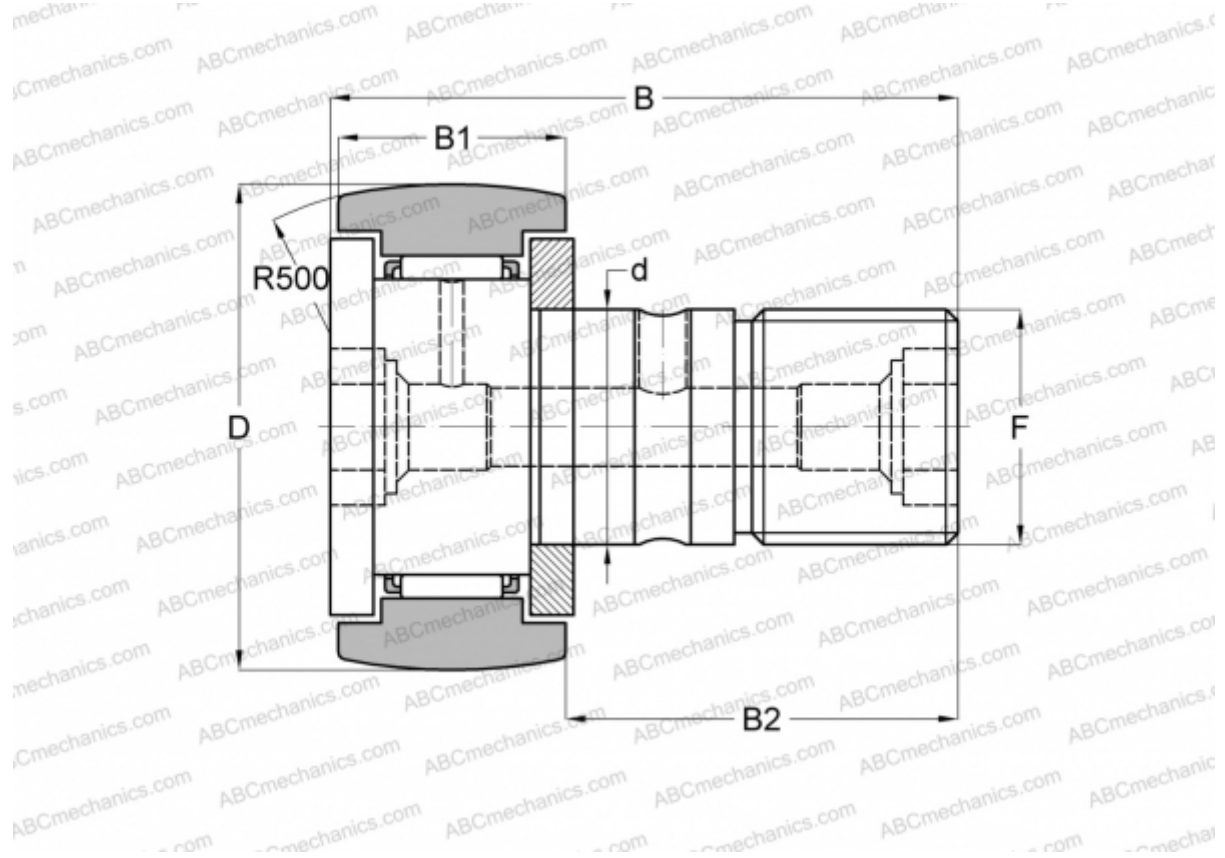


KR 62 ABC

Cam followers

TYPE: Roller bearings, Stud type track rollers, With axial guidance, gap seals on both side



Technical specification

DIMENSIONS, MM

d	24,000
D	62,000
B	80,000
B1	29,000
B2	49,500
F	M24x1.5

WEIGHT, KG 0,798

MANUFACTURER [ABC](#)

INTERCHANGE

INA	KR 62
SKF	KR 62
IKO	CF 24 R
McGill	MCFR-62