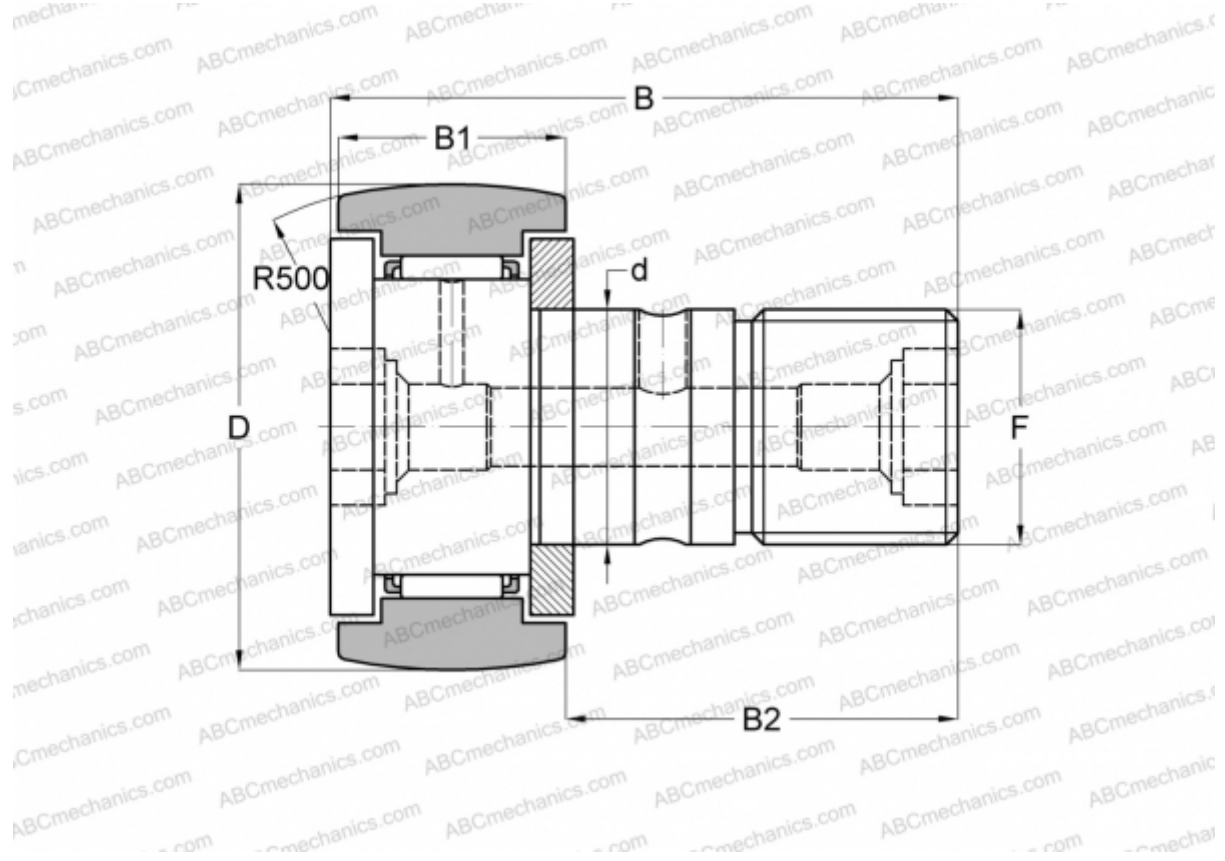


## KR 72 SKF

Cam followers

TYPE: Roller bearings, Stud type track rollers, With axial guidance, gap seals on both side



### Technical specification

#### DIMENSIONS, MM

d	24,000
D	72,000
B	80,000
B1	29,000
B2	49,500
F	M24x1.5

**WEIGHT, KG** 1,038

**MANUFACTURER** [SKF](#)

#### INTERCHANGE

ABC	<a href="#">KR 72</a>
INA	<a href="#">KR 72</a>
IKO	<a href="#">CF 24-1 R</a>
McGill	<a href="#">MCFR-72</a>