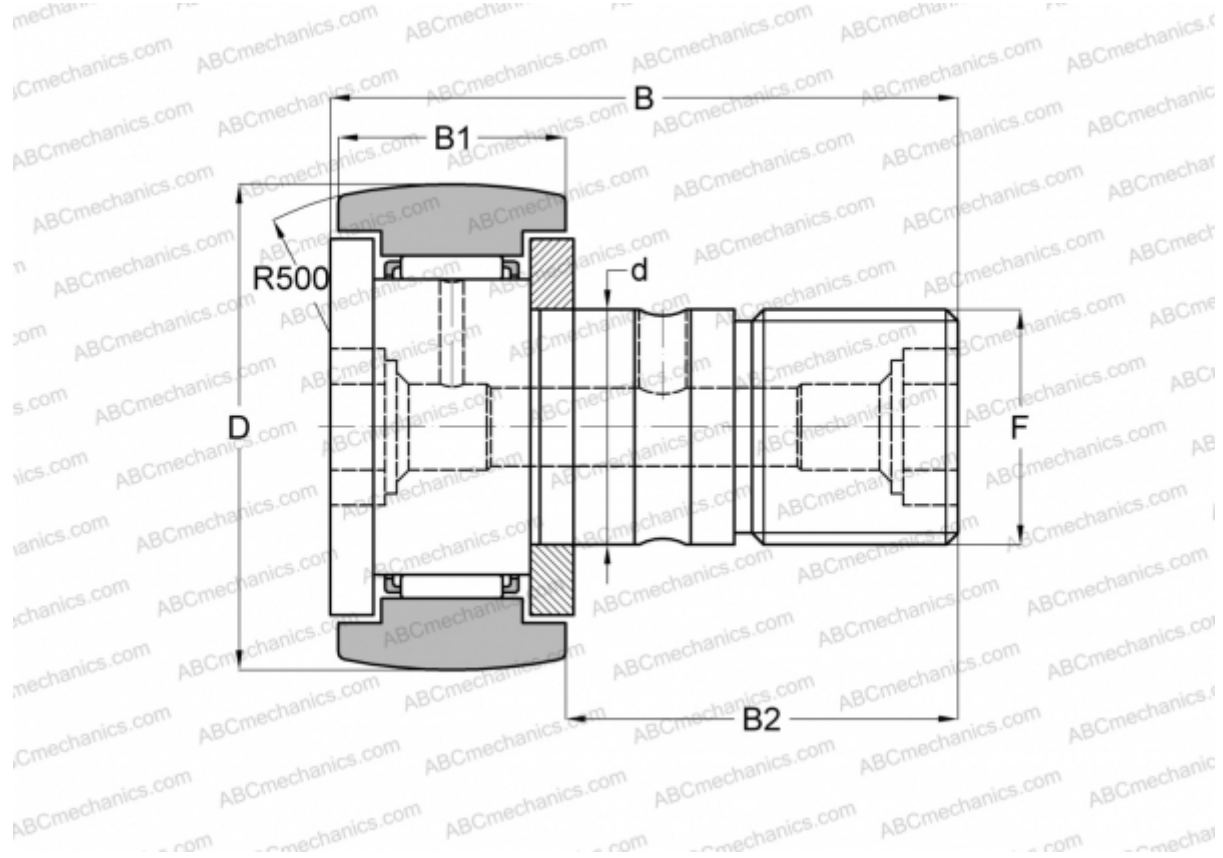


## CF 30 R IKO

Cam followers

TYPE: Roller bearings, Stud type track rollers, With axial guidance, gap seals on both side



### Technical specification

#### DIMENSIONS, MM

d	30,000
D	80,000
B	100,000
B1	35,000
B2	63,000
F	M30x1.5

**WEIGHT, KG** 1,870

**MANUFACTURER** [IKO](#)

#### INTERCHANGE

ABC	<a href="#">KR 80</a>
INA	<a href="#">KR 80</a>
SKF	<a href="#">KR 80</a>
McGill	<a href="#">MCFR-80</a>

#### CALCULATION DATA

Basic dynamic load rating, C	45,400 kN
Basic static load rating, Co	85,100 kN