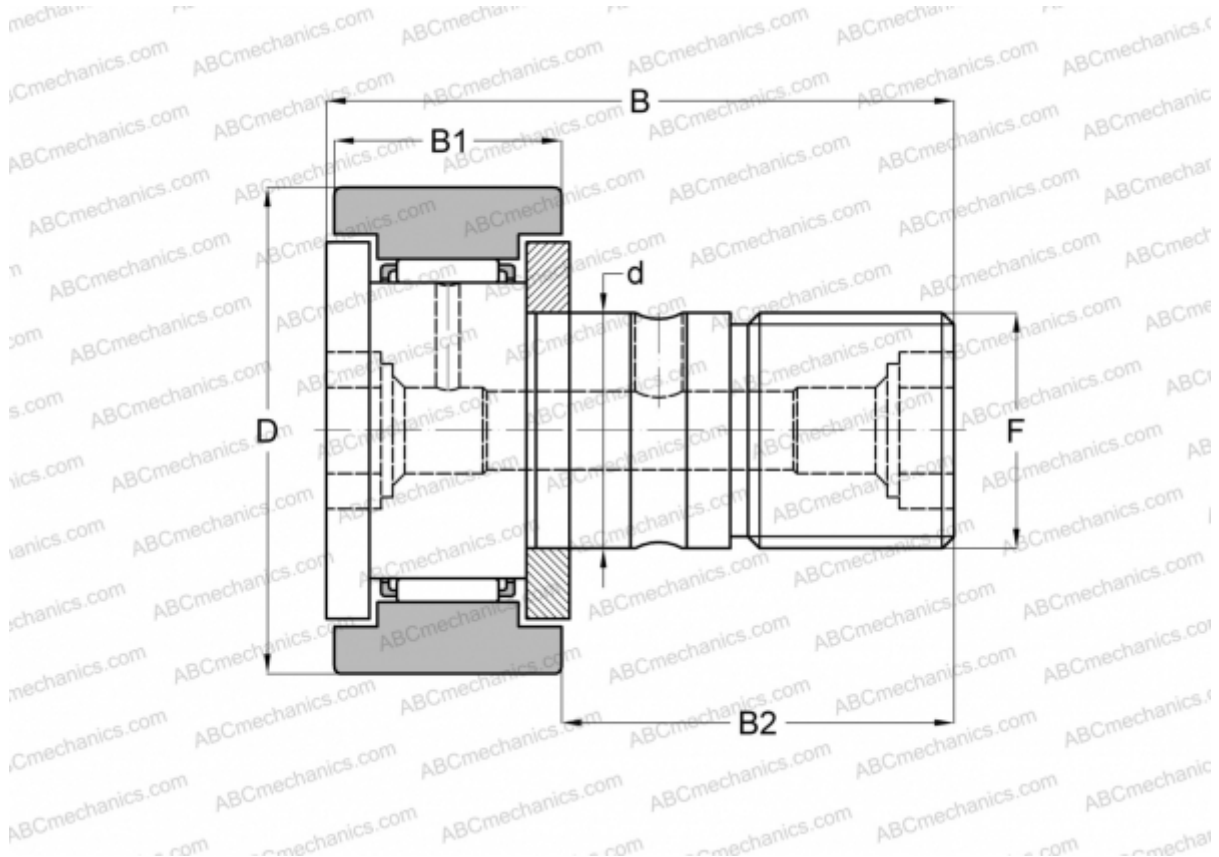


## CF 4 IKO

Cam followers

TYPE: Roller bearings, Stud type track rollers, With axial guidance, gap seals on both side, cylindrical outer ring



### Technical specification

#### DIMENSIONS, MM

d	4,000
D	12,000
B	20,000
B1	8,000
B2	11,000
F	M4x0.7

**WEIGHT, KG** 0,007

**MANUFACTURER** [IKO](#)

#### INTERCHANGE

ABC	<a href="#">CF 4</a>
McGill	<a href="#">MCFR-12-X</a>

#### CALCULATION DATA

Basic dynamic load rating, C	2,070 kN
------------------------------	----------

#### CALCULATION DATA

Basic static load rating, Co	1,590 kN
------------------------------	----------