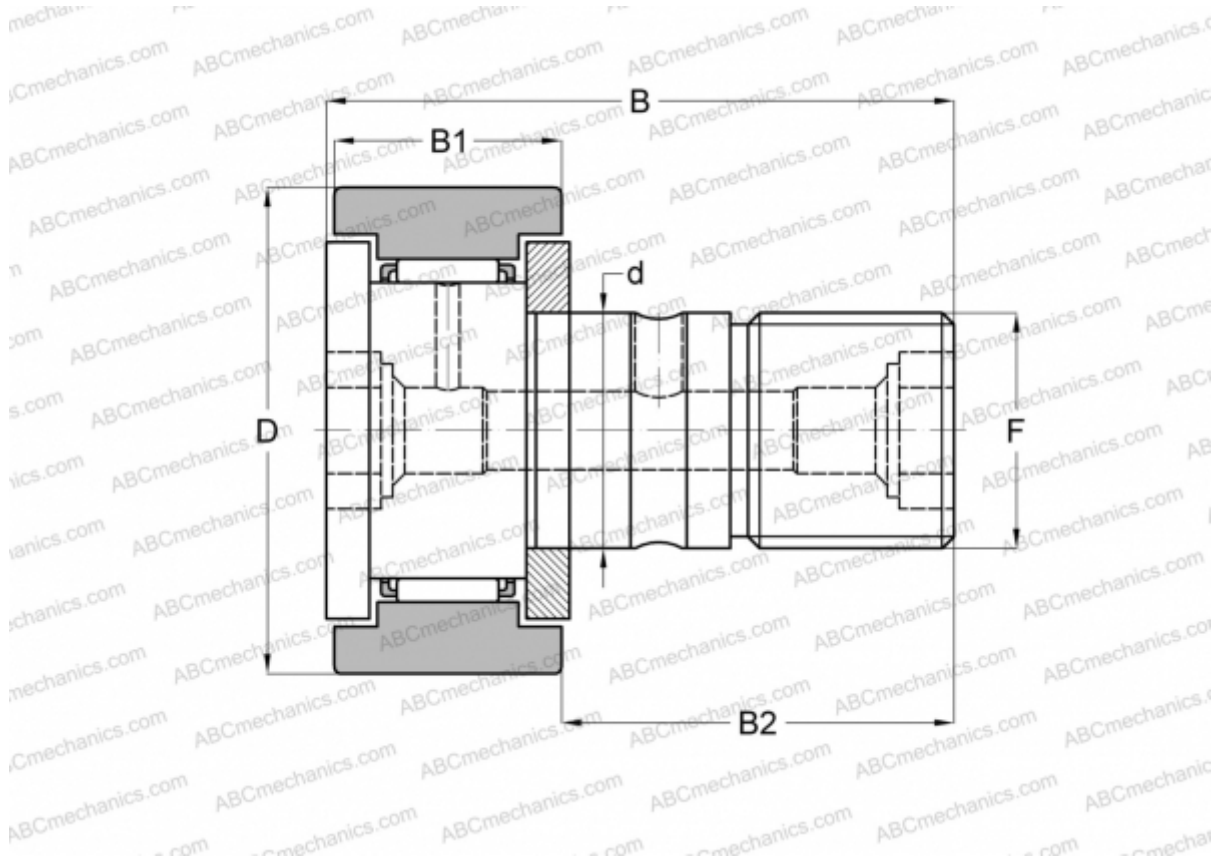


## MCFR-13-X McGill

Cam followers

TYPE: Roller bearings, Stud type track rollers, With axial guidance, gap seals on both side, cylindrical outer ring



### Technical specification

#### DIMENSIONS, MM

d	5,000
D	13,000
B	23,000
B1	9,000
B2	13,000
F	M5x0.8

**WEIGHT, KG** 0,010

**MANUFACTURER** [McGill](#)

#### INTERCHANGE

ABC	<a href="#">CF 5</a>
IKO	<a href="#">CF 5</a>