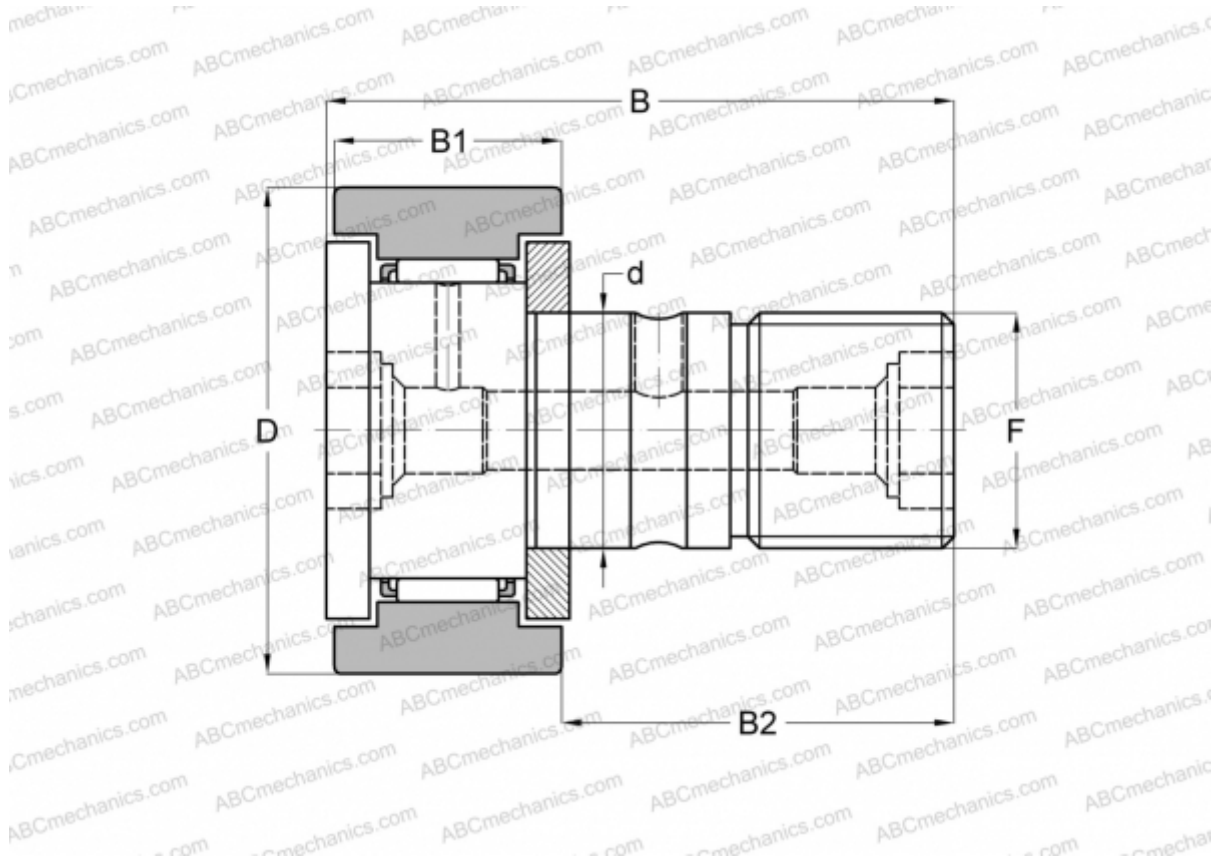


CF 6 IKO

Cam followers

TYPE: Roller bearings, Stud type track rollers, With axial guidance, gap seals on both side, cylindrical outer ring



Technical specification

DIMENSIONS, MM

d	6,000
D	16,000
B	28,200
B1	11,000
B2	16,000
F	M6x1

WEIGHT, KG 0,019

MANUFACTURER [IKO](#)

INTERCHANGE

ABC	KR 16 X
INA	KR 16 X
SKF	KR 16 X
McGill	MCFR-16-X

INTERCHANGE

FAG [KR 16 DZ](#)

CALCULATION DATA

Basic dynamic load rating, C	3,660 kN
Basic static load rating, Co	3,650 kN