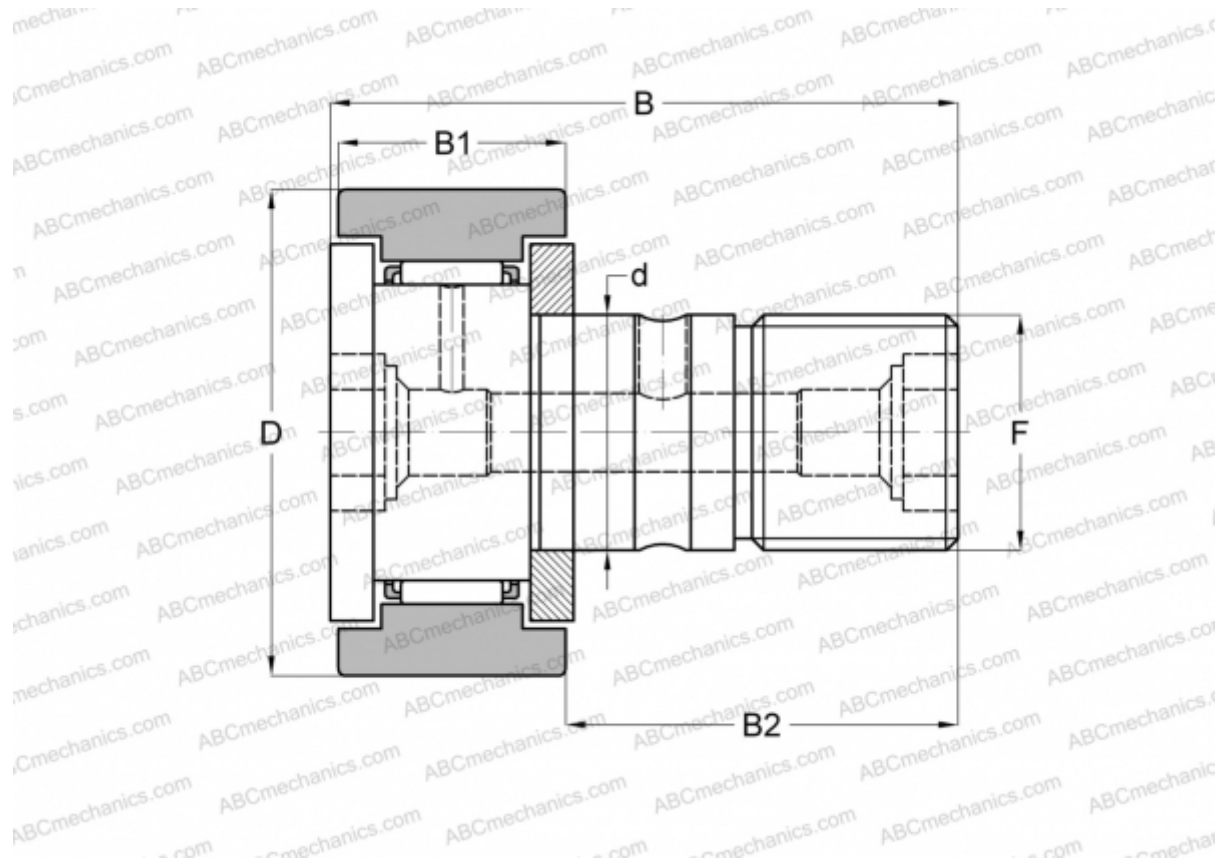


KR 22 X INA

Cam followers

TYPE: Roller bearings, Stud type track rollers, With axial guidance, gap seals on both side, cylindrical outer ring



Technical specification

DIMENSIONS, MM

d	10,000
D	22,000
B	36,000
B1	12,000
B2	23,000
F	M10x1

WEIGHT, KG 0,050

MANUFACTURER [INA](#)

INTERCHANGE

ABC	KR 22 X
SKF	KR 22 X
IKO	CF 10 M
McGill	MCFR-22-X

INTERCHANGE

FAG [KR 22 DZ](#)