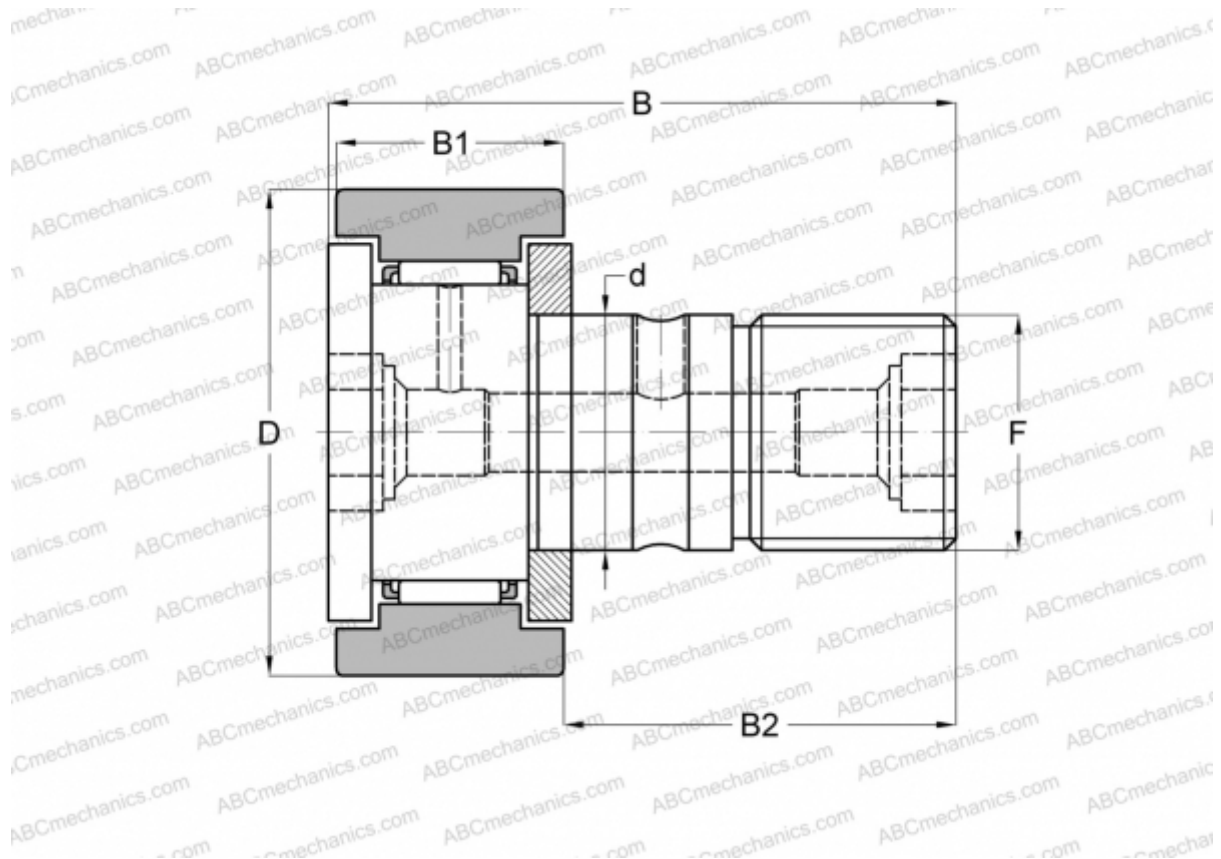


## KR 22 X SKF

Cam followers

TYPE: Roller bearings, Stud type track rollers, With axial guidance, gap seals on both side, cylindrical outer ring



### Technical specification

#### DIMENSIONS, MM

d	10,000
D	22,000
B	36,000
B1	12,000
B2	23,000
F	M10x1

**WEIGHT, KG** 0,045

**MANUFACTURER** [SKF](#)

#### INTERCHANGE

ABC	<a href="#">KR 22 X</a>
INA	<a href="#">KR 22 X</a>
IKO	<a href="#">CF 10 M</a>
McGill	<a href="#">MCFR-22-X</a>

#### INTERCHANGE

FAG [KR 22 DZ](#)

#### CALCULATION DATA

Basic dynamic load rating, C	4,400 kN
Basic static load rating, Co	5,000 kN
Fatigue load limit, Pu	0,560 kN
Limiting speed	5300 r/min