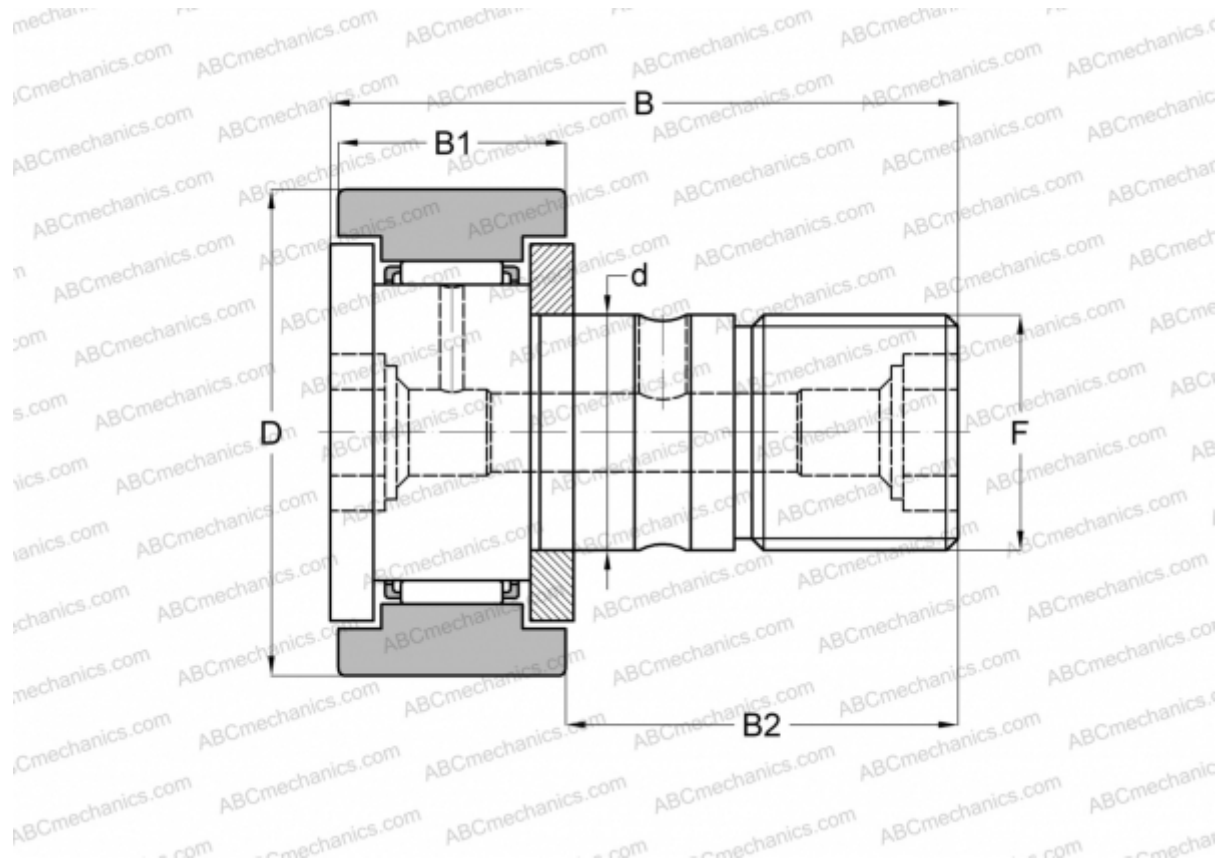


MCFR-22-X McGill

Cam followers

TYPE: Roller bearings, Stud type track rollers, With axial guidance, gap seals on both side, cylindrical outer ring



Technical specification

DIMENSIONS, MM

| | |
|----|--------|
| d | 10,000 |
| D | 22,000 |
| B | 36,000 |
| B1 | 12,000 |
| B2 | 23,000 |
| F | M10x1 |

WEIGHT, KG 0,050

MANUFACTURER [McGill](#)

INTERCHANGE

| | |
|-----|-------------------------|
| ABC | KR 22 X |
| INA | KR 22 X |
| SKF | KR 22 X |
| IKO | CF 10 M |

INTERCHANGE

FAG [KR 22 DZ](#)