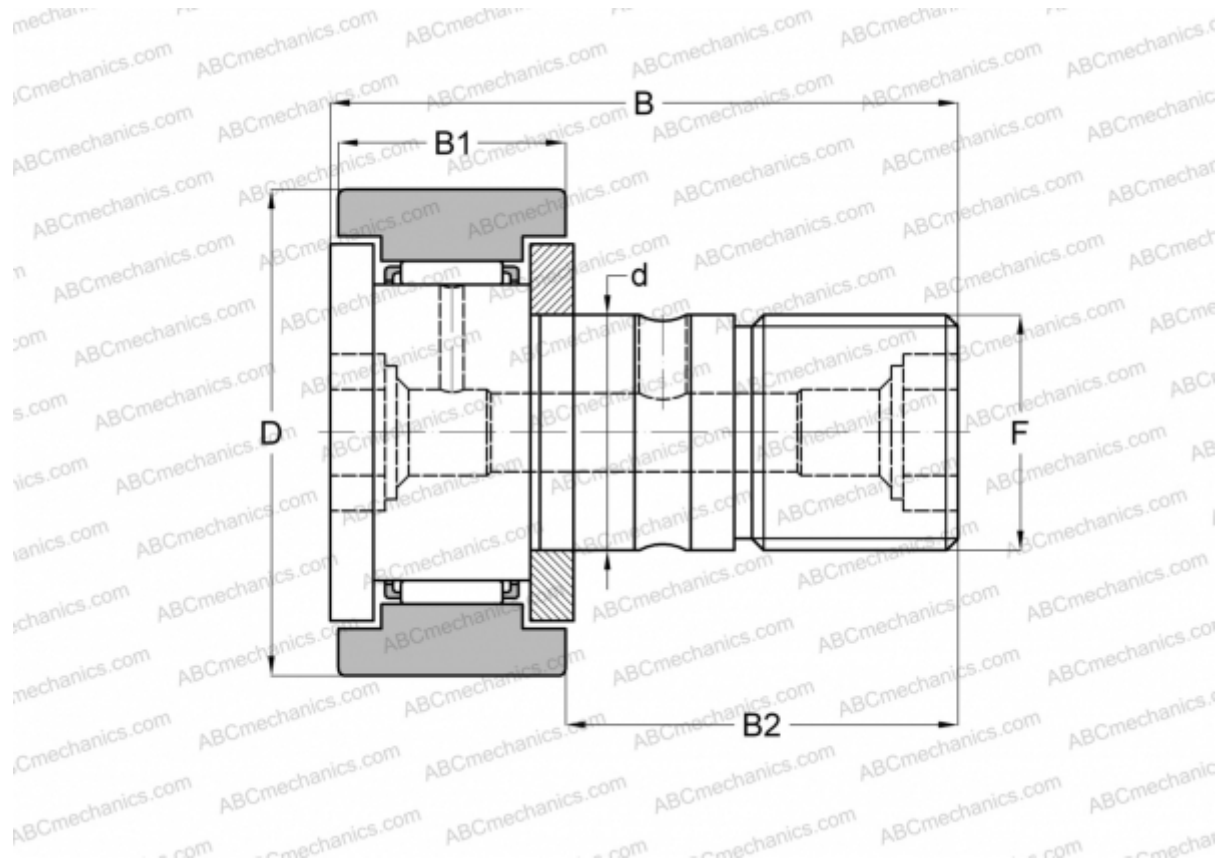


## KR 26 X INA

Cam followers

TYPE: Roller bearings, Stud type track rollers, With axial guidance, gap seals on both side, cylindrical outer ring



### Technical specification

#### DIMENSIONS, MM

d	10,000
D	26,000
B	36,000
B1	12,000
B2	23,000
F	M10x1

**WEIGHT, KG** 0,059

**MANUFACTURER** [INA](#)

#### INTERCHANGE

ABC	<a href="#">KR 26 X</a>
SKF	<a href="#">KR 26 X</a>
IKO	<a href="#">CF 10-1 M</a>
McGill	<a href="#">MCFR-26-X</a>

#### INTERCHANGE

FAG [KR 26 DZ](#)