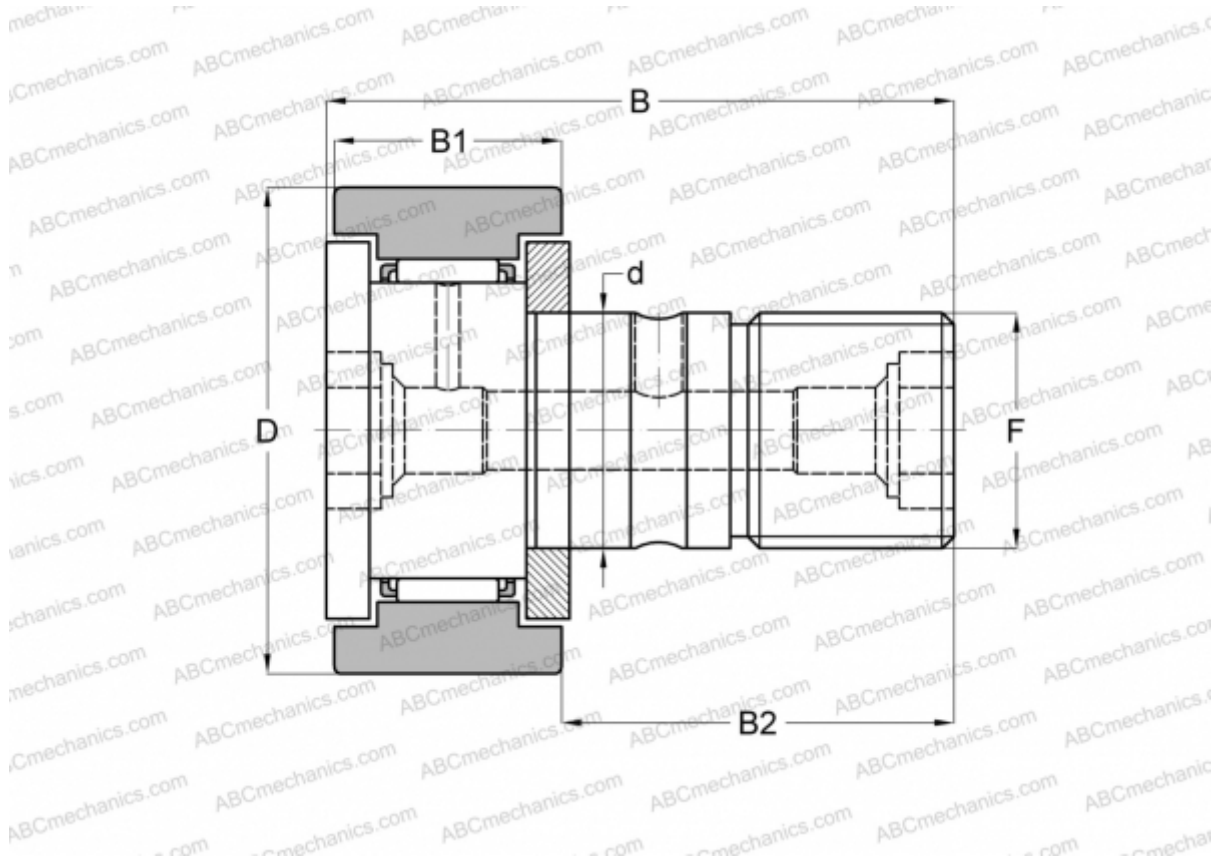


## KR 30 X INA

Cam followers

TYPE: Roller bearings, Stud type track rollers, With axial guidance, gap seals on both side, cylindrical outer ring



### Technical specification

#### DIMENSIONS, MM

d	12,000
D	30,000
B	40,000
B1	14,000
B2	25,000
F	M12x1.5

**WEIGHT, KG** 0,091

**MANUFACTURER** [INA](#)

#### INTERCHANGE

ABC	<a href="#">KR 30 X</a>
SKF	<a href="#">KR 30 X</a>
IKO	<a href="#">CF 12</a>
McGill	<a href="#">MCFR-30-X</a>

#### INTERCHANGE

FAG [KR 30 DZ](#)