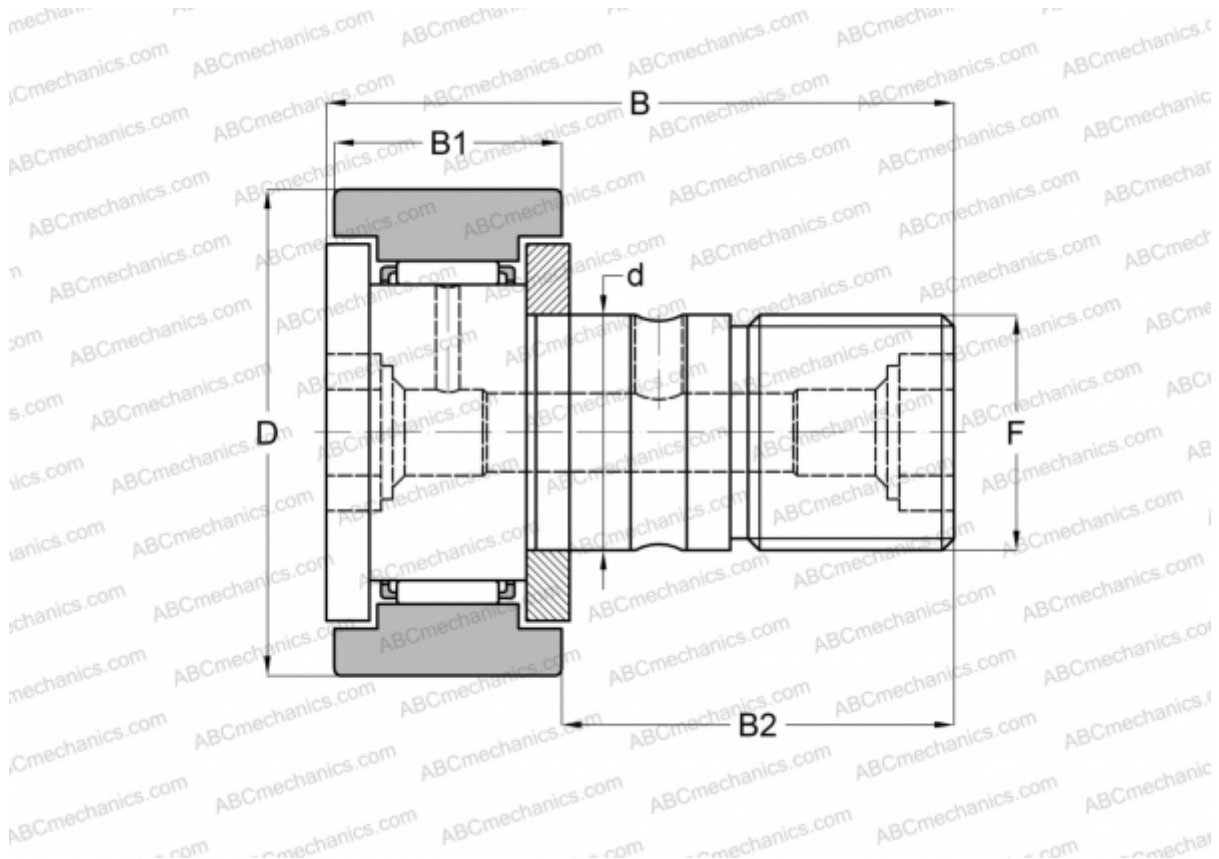


KR 30 DZ FAG

Cam followers

TYPE: Roller bearings, Stud type track rollers, With axial guidance, gap seals on both side, cylindrical outer ring



Technical specification

DIMENSIONS, MM

d	12,000
D	30,000
B	40,000
B1	14,000
B2	25,000
F	M12x1.5

WEIGHT, KG 0,091

MANUFACTURER [FAG](#)

INTERCHANGE

ABC	KR 30 X
INA	KR 30 X
SKF	KR 30 X
IKO	CF 12

INTERCHANGE

McGill [MCFR-30-X](#)