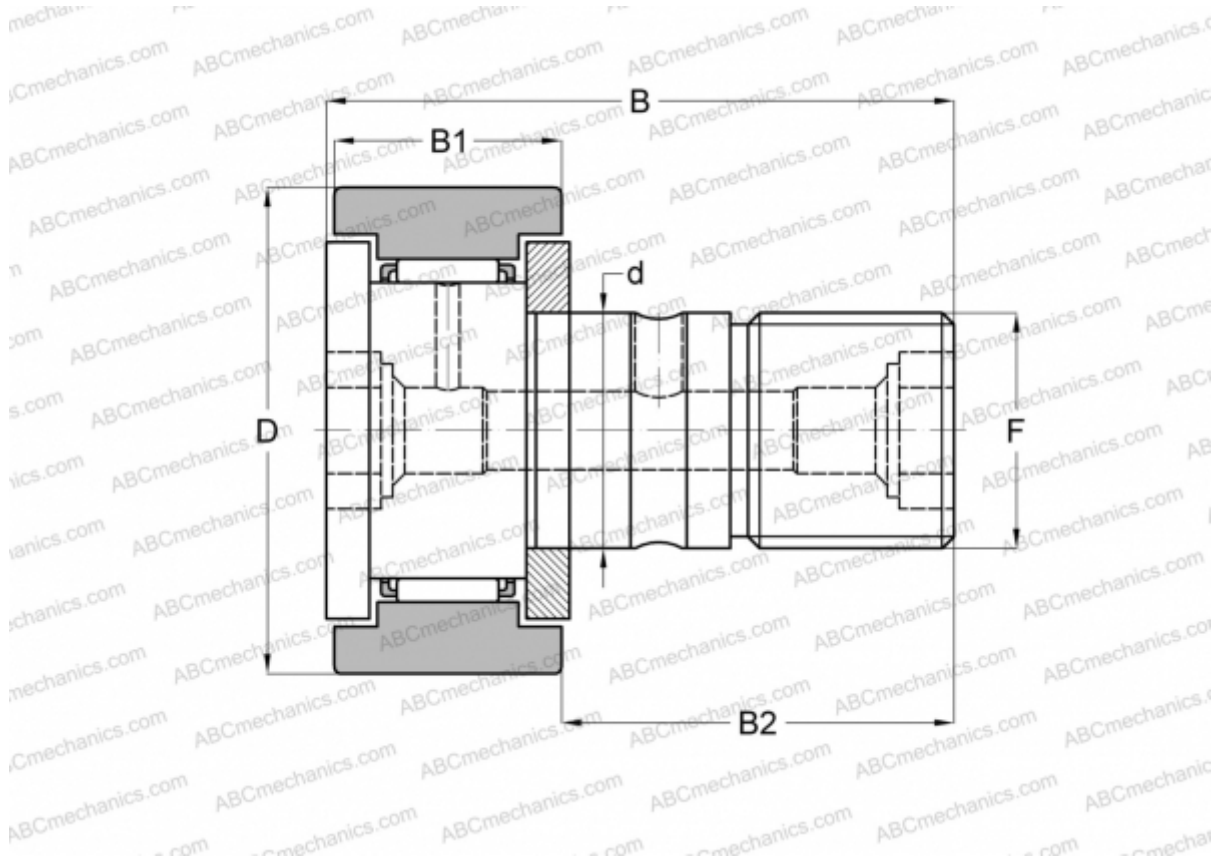


KR 35 X SKF

Cam followers

TYPE: Roller bearings, Stud type track rollers, With axial guidance, gap seals on both side, cylindrical outer ring



Technical specification

DIMENSIONS, MM

d	16,000
D	35,000
B	52,000
B1	18,000
B2	32,500
F	M 16x1.5

WEIGHT, KG 0,173

MANUFACTURER [SKF](#)

INTERCHANGE

ABC	KR 35 X
INA	KR 35 X
IKO	CF 16
McGill	MCFR-35-X

CALCULATION DATA

Basic dynamic load rating, C	9,520 kN
Basic static load rating, Co	13,700 kN
Fatigue load limit, Pu	1,560 kN
Limiting speed	4000 r/min