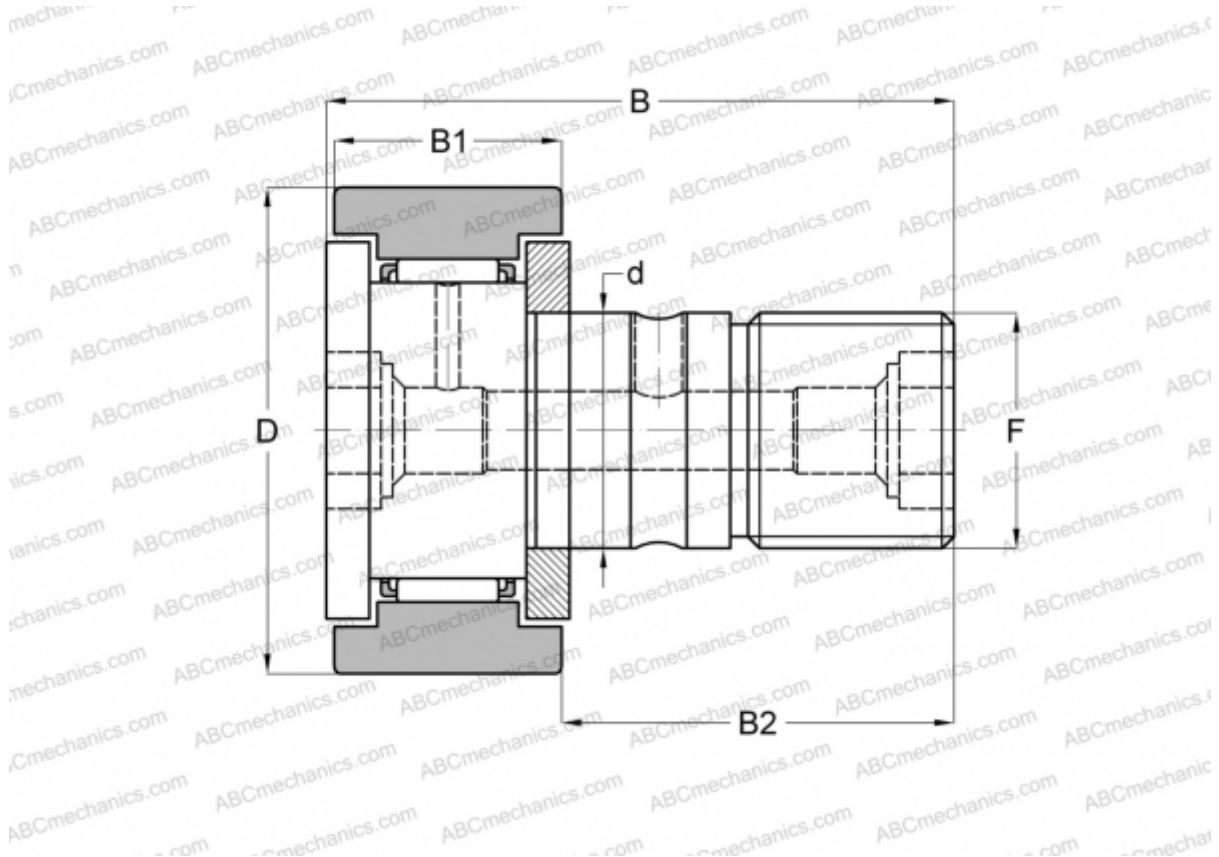


KR 40 X SKF

Cam followers

TYPE: Roller bearings, Stud type track rollers, With axial guidance, gap seals on both side, cylindrical outer ring



Technical specification

DIMENSIONS, MM

| | |
|----|----------|
| d | 18,000 |
| D | 40,000 |
| B | 58,000 |
| B1 | 20,000 |
| B2 | 36,500 |
| F | M 18x1.5 |

WEIGHT, KG 0,247

MANUFACTURER [SKF](#)

INTERCHANGE

| | |
|--------|---------------------------|
| ABC | KR 40 X |
| INA | KR 40 X |
| IKO | CF 18 |
| McGill | MCFR-40-X |

CALCULATION DATA

| | |
|------------------------------|------------|
| Basic dynamic load rating, C | 10,500 kN |
| Basic static load rating, Co | 14,600 kN |
| Fatigue load limit, Pu | 1,730 kN |
| Limiting speed | 3400 r/min |