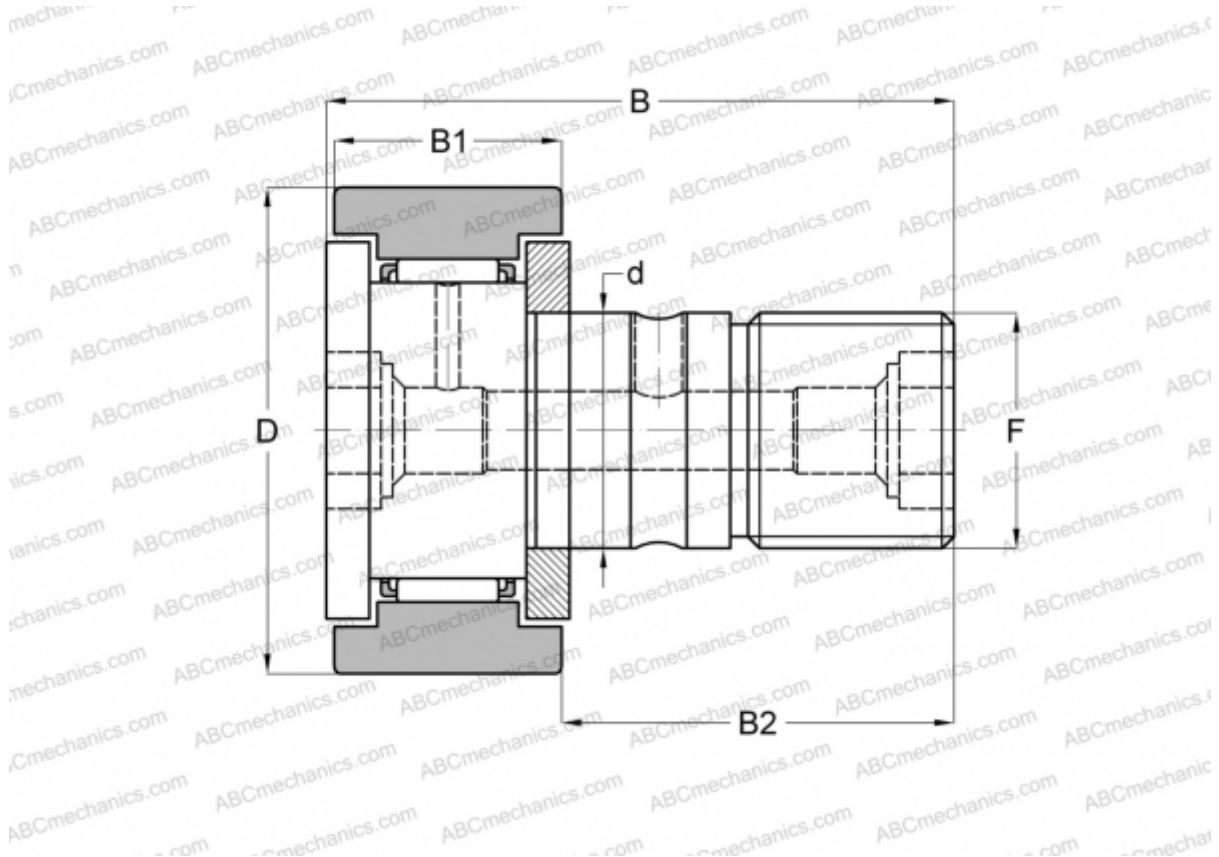


KR 47 X INA

Cam followers

TYPE: Roller bearings, Stud type track rollers, With axial guidance, gap seals on both side, cylindrical outer ring



Technical specification

DIMENSIONS, MM

d	20,000
D	47,000
B	66,000
B1	24,000
B2	40,500
F	M20x1.5

WEIGHT, KG 0,400

MANUFACTURER [INA](#)

INTERCHANGE

ABC	KR 47 X
SKF	KR 47 X
IKO	CF 20-1
McGill	MCFR-47-X