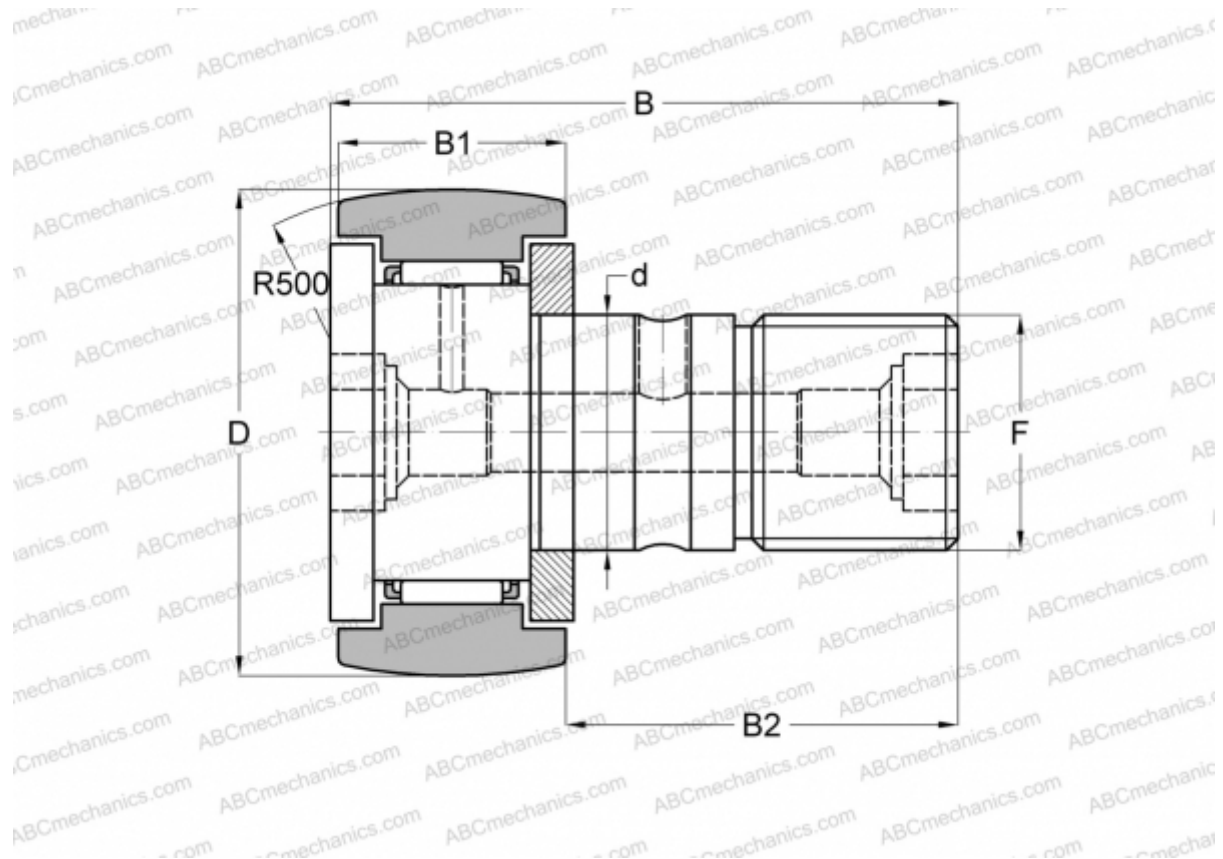


CFKR 32 ABC

Cam followers

TYPE: Roller bearings, Stud type track rollers, With axial guidance, gap seals on both side, double hex hole



Technical specification

DIMENSIONS, MM

| | |
|----|---------|
| d | 12,000 |
| D | 32,000 |
| B | 40,000 |
| B1 | 14,000 |
| B2 | 25,000 |
| F | M12x1,5 |

WEIGHT, KG 0,100

MANUFACTURER [ABC](#)

INTERCHANGE

| | |
|-----|------------------------------|
| IKO | CFKR 32 |
| JNS | CF 12 R-1-AB |
| THK | CF 12 R-1-AB |