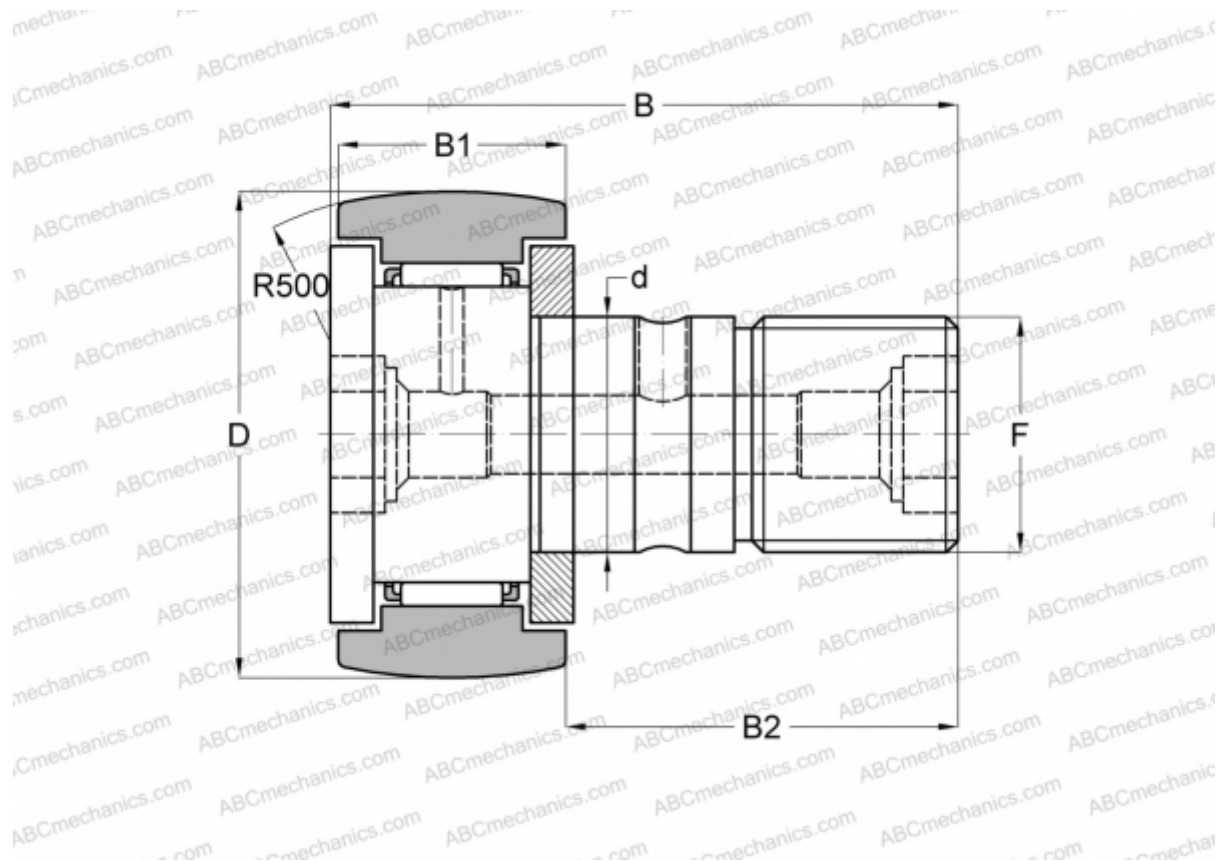


## CF 24-1 R-AB THK

Cam followers

TYPE: Roller bearings, Stud type track rollers, With axial guidance, gap seals on both side, double hex hole



### Technical specification

#### DIMENSIONS, MM

d	24,000
D	72,000
B	80,000
B1	29,000
B2	49,500
F	M24x1,5

**WEIGHT, KG** 1,038

**MANUFACTURER** [THK](#)

#### INTERCHANGE

ABC	<a href="#">CFKR 72</a>
IKO	<a href="#">CFKR 72</a>
JNS	<a href="#">CF 24-1 R-AB</a>