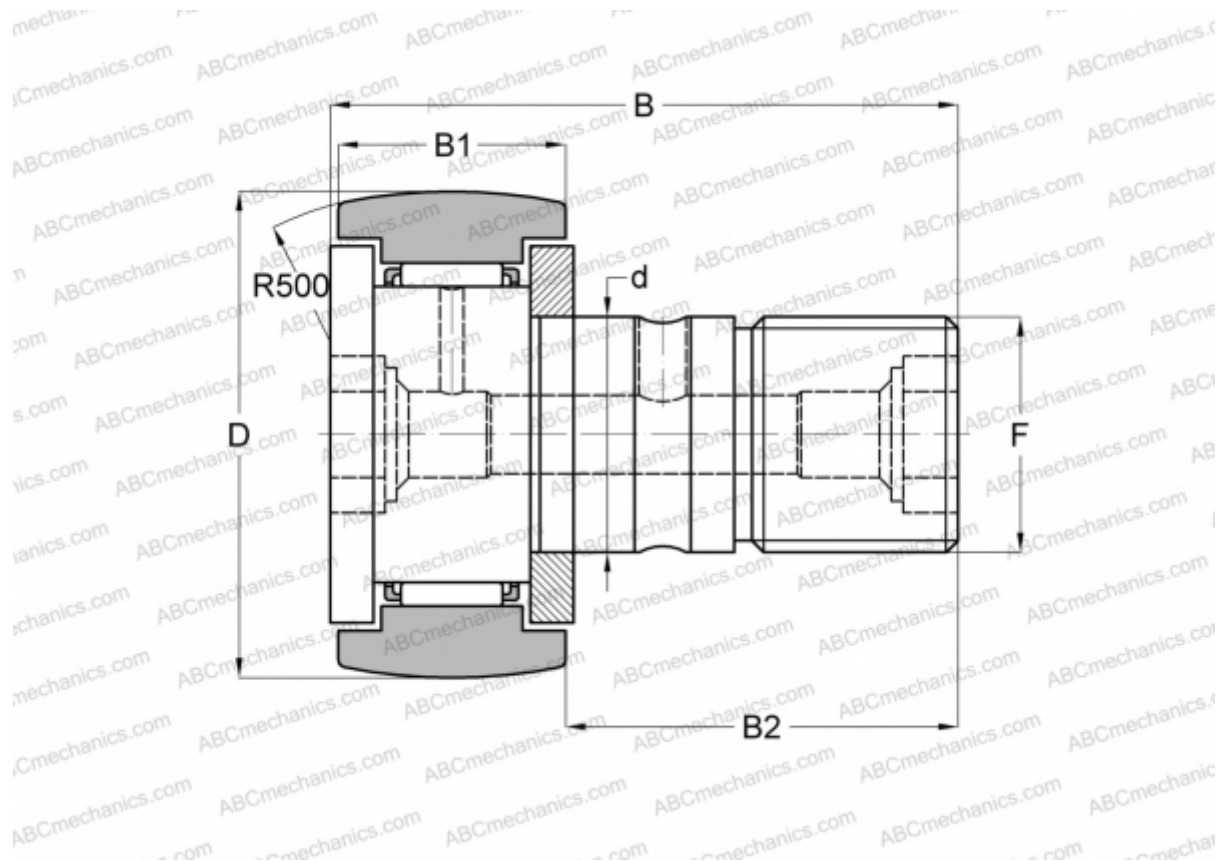


CF 30-1 R-AB THK

Cam followers

TYPE: Roller bearings, Stud type track rollers, With axial guidance, gap seals on both side, double hex hole



Technical specification

DIMENSIONS, MM

d	30,000
D	85,000
B	100,000
B1	35,000
B2	63,000
F	M30x 1.5

WEIGHT, KG 2,020

MANUFACTURER [THK](#)

INTERCHANGE

ABC	CFKR 85
IKO	CFKR 85
JNS	CF 30-1 R-AB