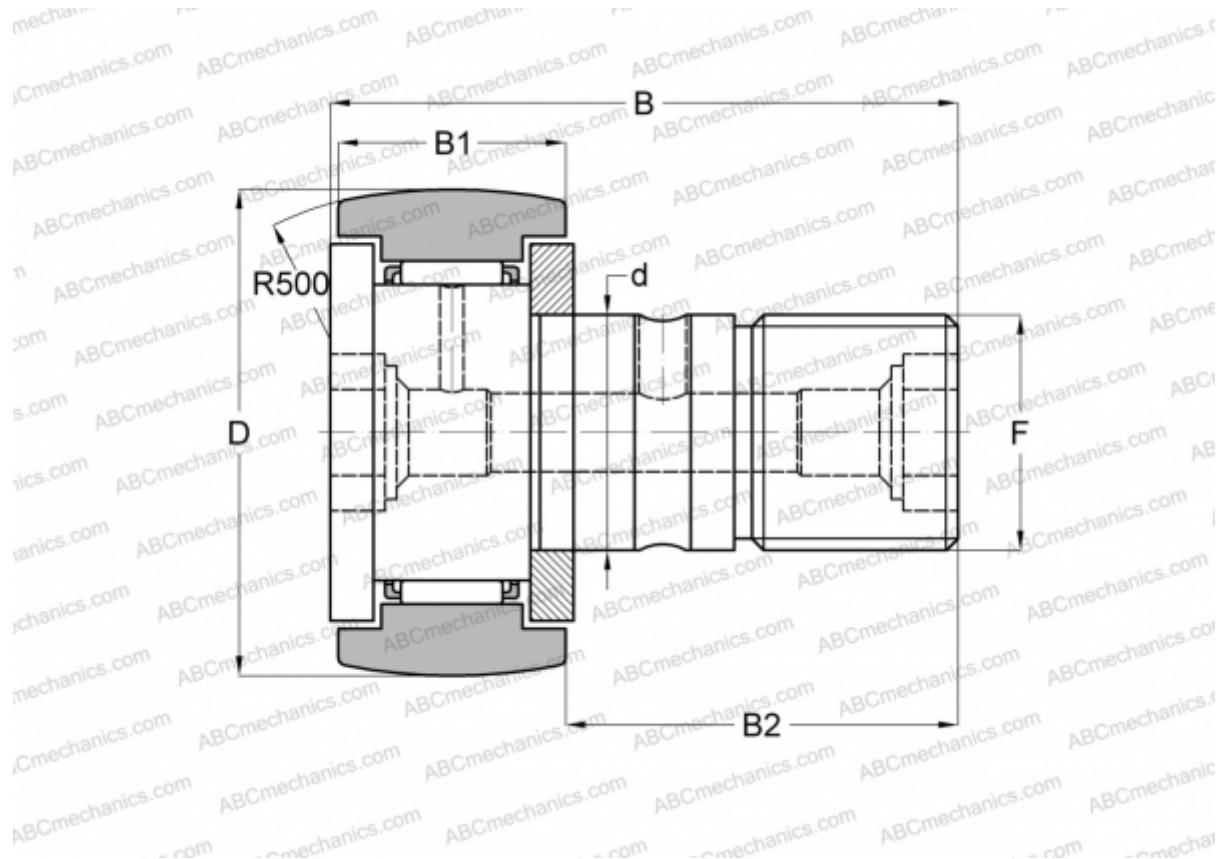


## CFKR 90 ABC

Cam followers

TYPE: Roller bearings, Stud type track rollers, With axial guidance, gap seals on both side, double hex hole



### Technical specification

#### DIMENSIONS, MM

d	30,000
D	90,000
B	100,000
B1	35,000
B2	63,000
F	M30x1,5

**WEIGHT, KG** 2,032

**MANUFACTURER** [ABC](#)

#### INTERCHANGE

IKO	<a href="#">CFKR 90</a>
JNS	<a href="#">CF 30-2 R-AB</a>
THK	<a href="#">CF 30-2 R-AB</a>