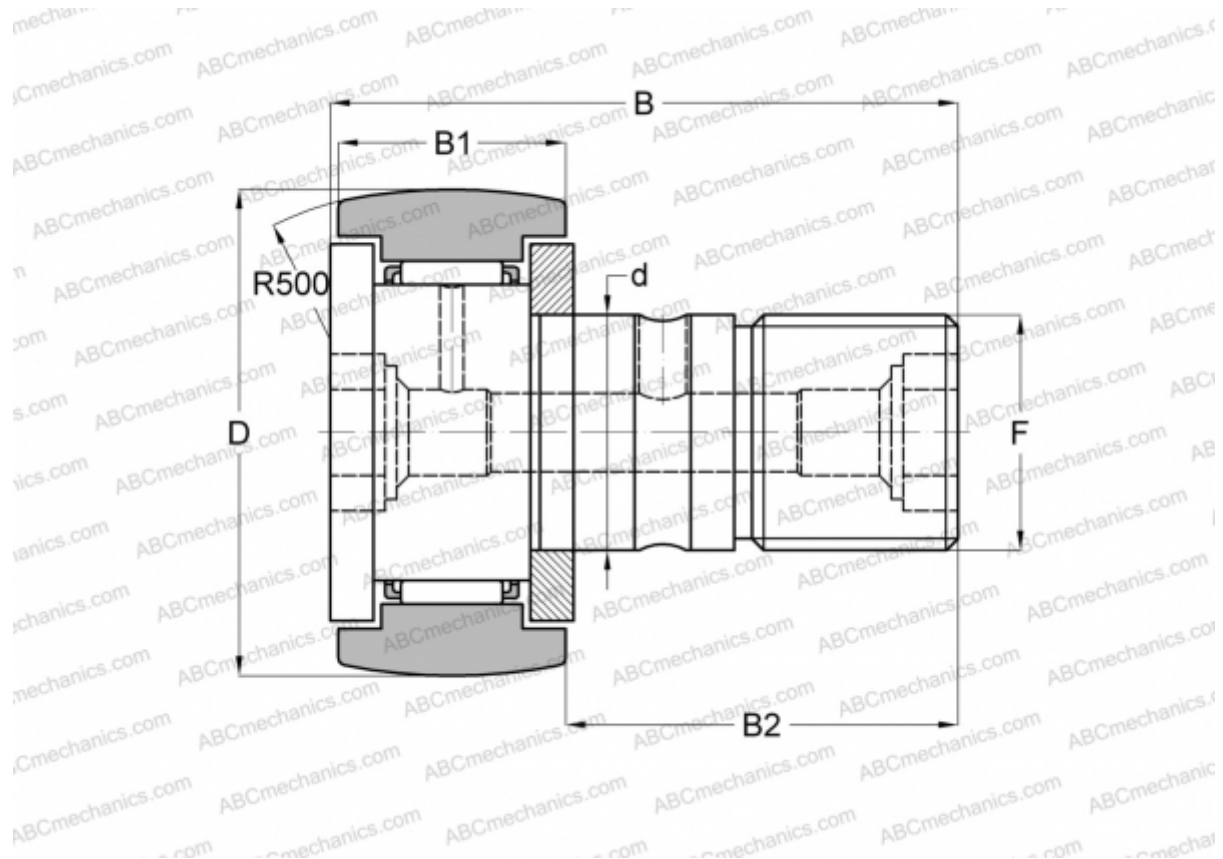


CF 30-2 R-AB JNS

Cam followers

TYPE: Roller bearings, Stud type track rollers, With axial guidance, gap seals on both side, double hex hole



Technical specification

DIMENSIONS, MM

d	30,000
D	90,000
B	100,000
B1	35,000
B2	63,000
F	M30x1,5

WEIGHT, KG 2,032

MANUFACTURER [JNS](#)

INTERCHANGE

ABC	CFKR 90
IKO	CFKR 90
THK	CF 30-2 R-AB