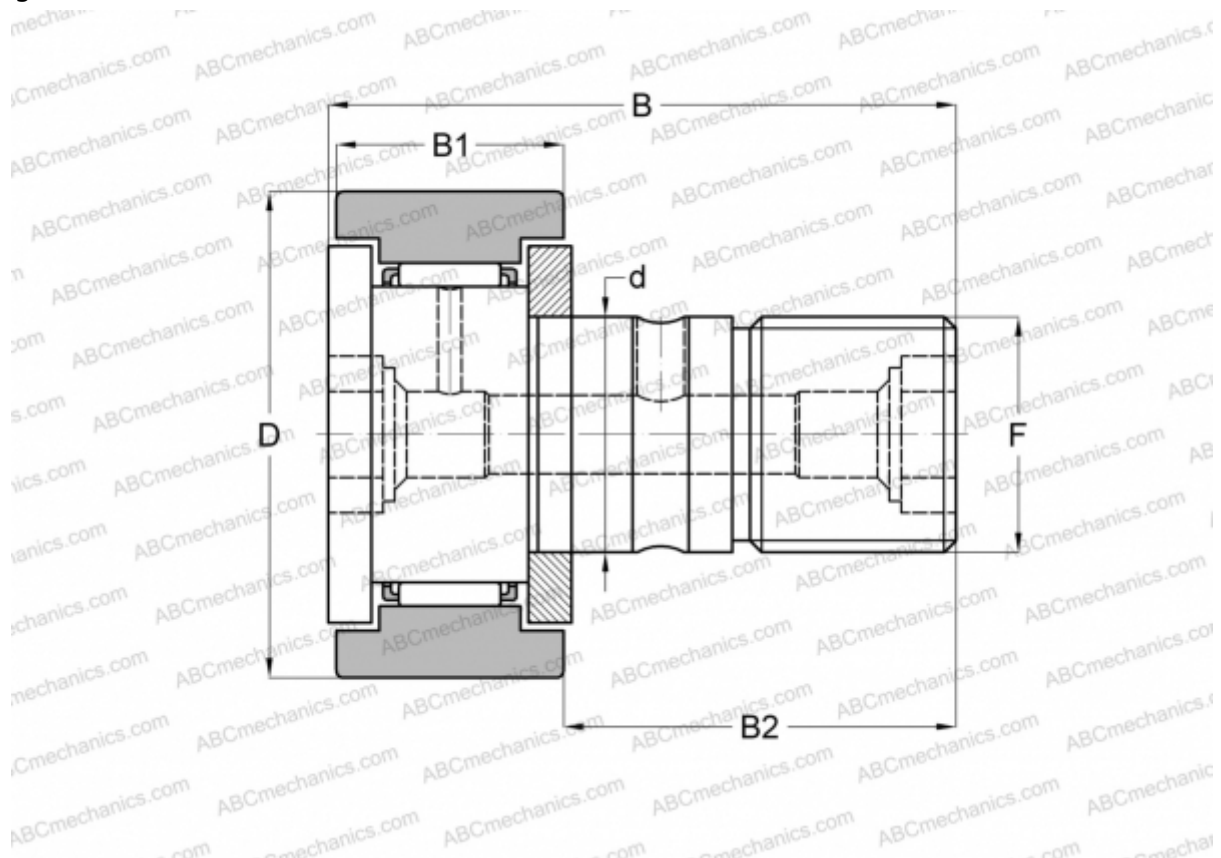


## CFKR 22 R ABC

Cam followers

TYPE: Roller bearings, Stud type track rollers, With axial guidance, gap seals on both side, cylindrical outer ring, double hex hole



### Technical specification

#### DIMENSIONS, MM

d	10,000
D	22,000
B	36,000
B1	12,000
B2	23,000
F	M10x1

**WEIGHT, KG** 0,050

**MANUFACTURER** [ABC](#)

#### INTERCHANGE

IKO [CFKR 22 R](#)