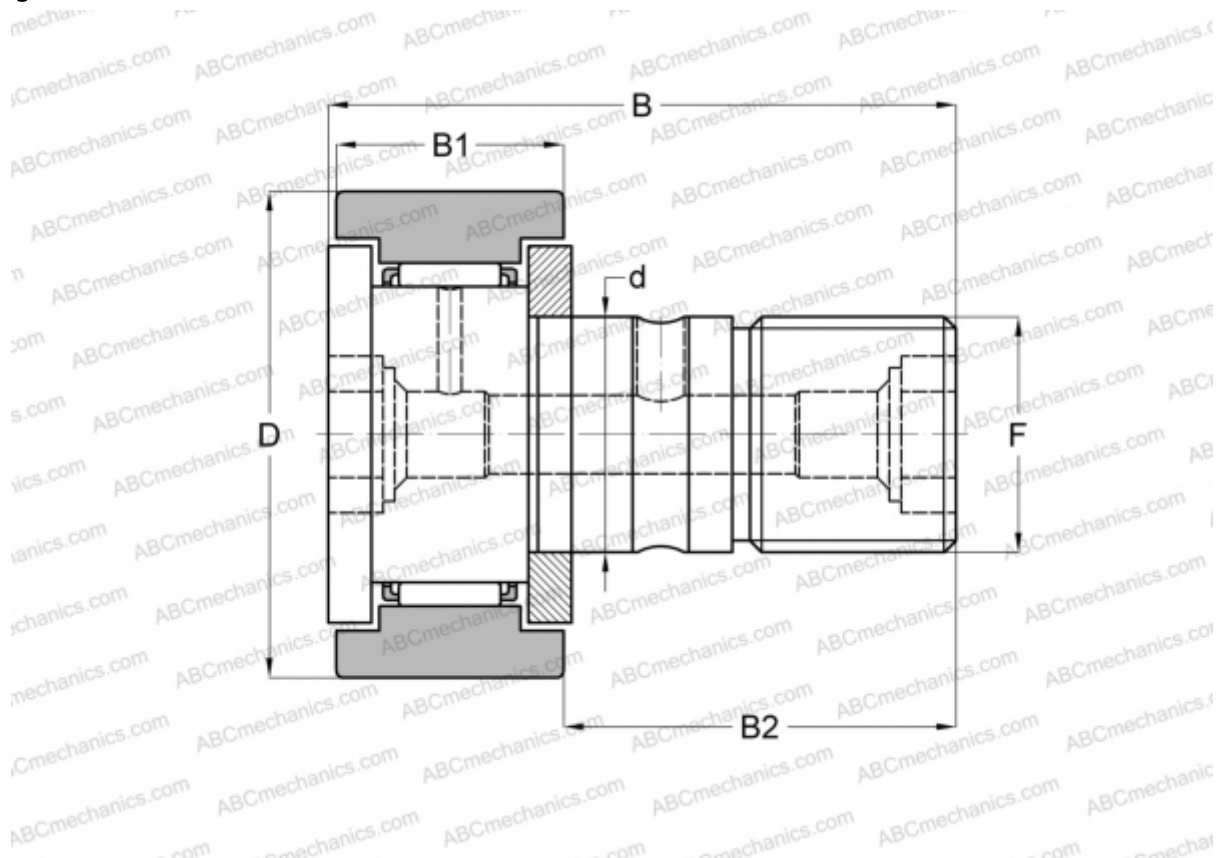


CF 12-1-AB JNS

Cam followers

TYPE: Roller bearings, Stud type track rollers, With axial guidance, gap seals on both side, cylindrical outer ring, double hex hole



Technical specification

DIMENSIONS, MM

d	12,000
D	32,000
B	40,000
B1	14,000
B2	25,000
F	M12x1.5

MANUFACTURER [JNS](#)

INTERCHANGE

ABC	CFKR 32 R
IKO	CFKR 32 R
THK	CF 12-1-AB