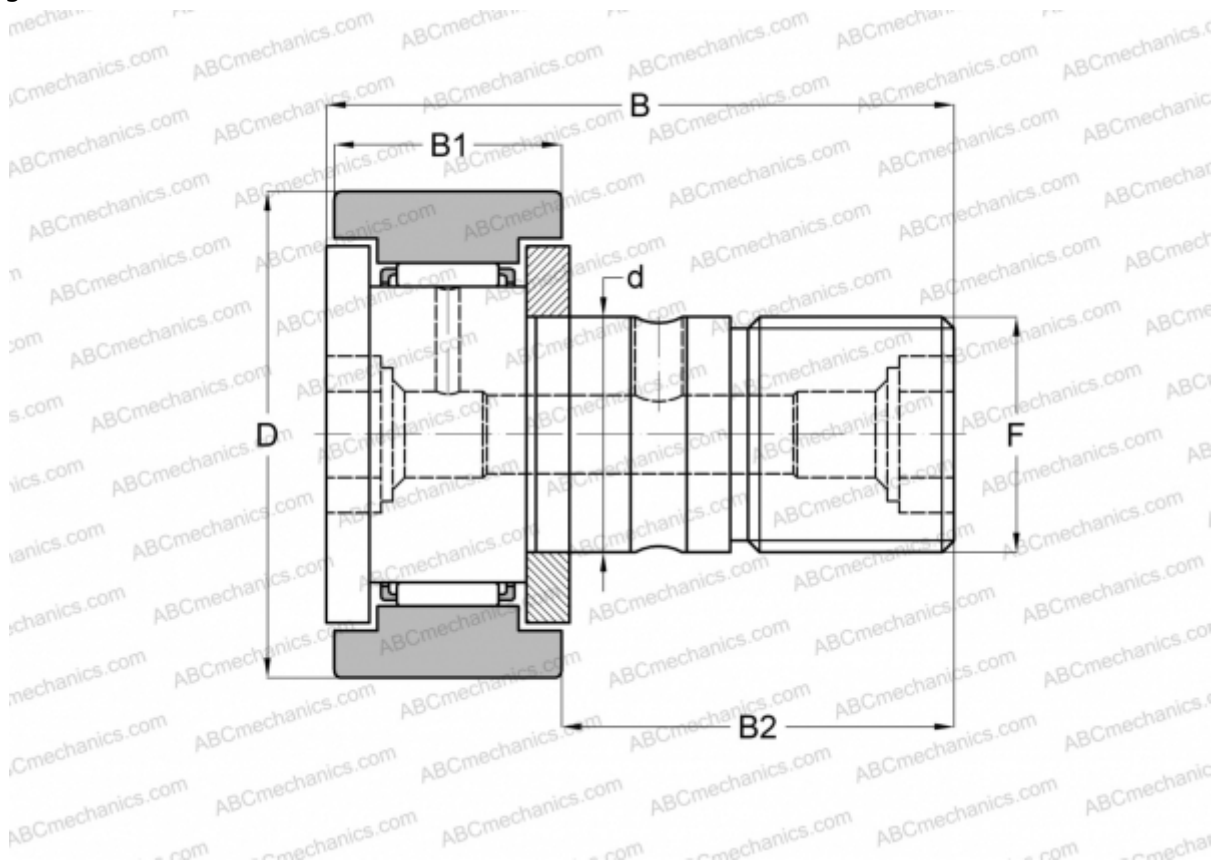


CF 20-AB JNS

Cam followers

TYPE: Roller bearings, Stud type track rollers, With axial guidance, gap seals on both side, cylindrical outer ring, double hex hole



Technical specification

DIMENSIONS, MM

| | |
|----|---------|
| d | 20,000 |
| D | 52,000 |
| B | 66,000 |
| B1 | 24,000 |
| B2 | 40,500 |
| F | M20x1.5 |

WEIGHT, KG 0,473

MANUFACTURER [JNS](#)

INTERCHANGE

| | |
|-----|---------------------------|
| ABC | CFKR 52 R |
| IKO | CFKR 52 R |
| THK | CF 20-AB |