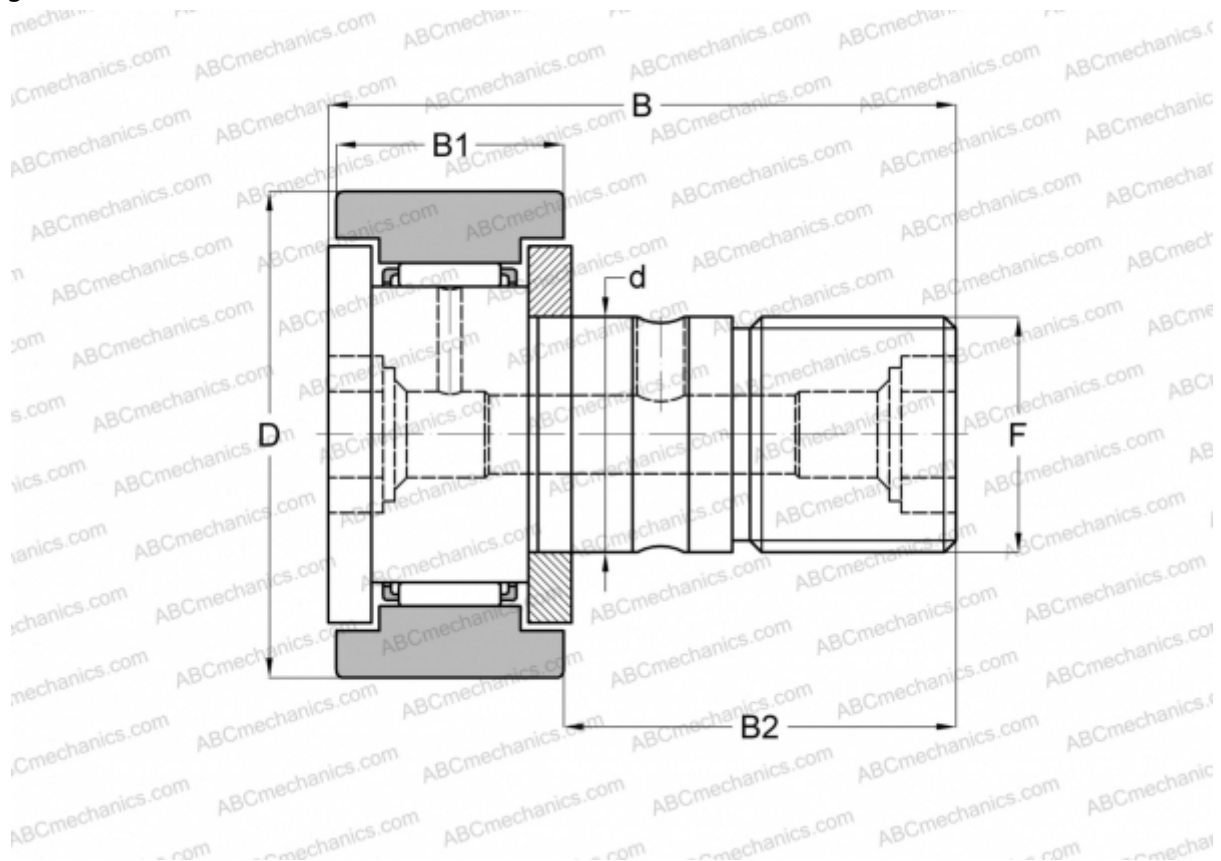


## CFKR 72 R IKO

Cam followers

TYPE: Roller bearings, Stud type track rollers, With axial guidance, gap seals on both side, cylindrical outer ring, double hex hole



### Technical specification

#### DIMENSIONS, MM

d	24,000
D	72,000
B	80,100
B1	29,000
B2	49,500
F	M24x1.5

**WEIGHT, KG** 1,120

**MANUFACTURER** [IKO](#)

#### INTERCHANGE

ABC	<a href="#">CFKR 72 R</a>
JNS	<a href="#">CF 24-1-AB</a>
THK	<a href="#">CF 24-1-AB</a>

#### CALCULATION DATA

Basic dynamic load rating, C	30,500 kN
Basic static load rating, Co	52,600 kN