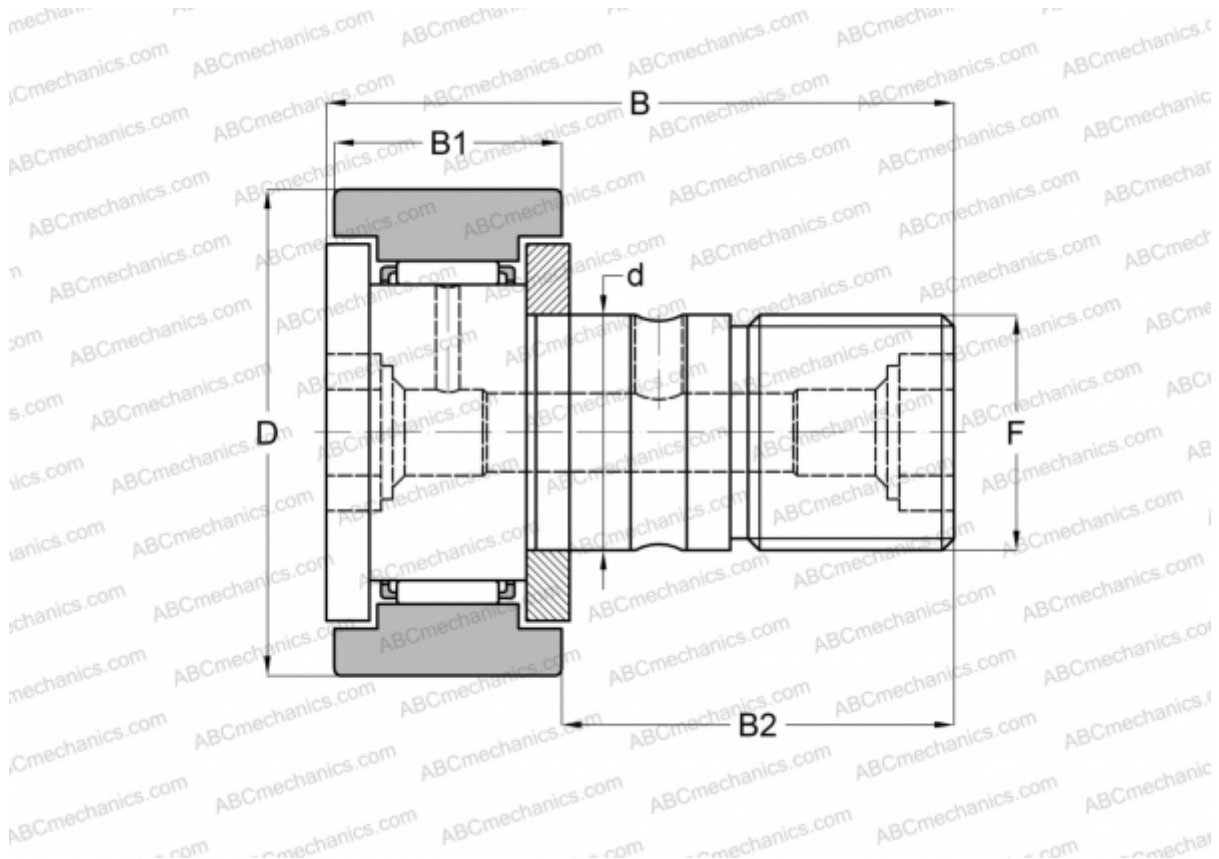


## CF 30-AB THK

Cam followers

TYPE: Roller bearings, Stud type track rollers, With axial guidance, gap seals on both side, cylindrical outer ring, double hex hole



### Technical specification

#### DIMENSIONS, MM

d	30,000
D	80,000
B	100,000
B1	35,000
B2	63,000
F	M30x1.5

**WEIGHT, KG** 1,665

**MANUFACTURER** [THK](#)

#### INTERCHANGE

ABC	<a href="#">CFKR 80 R</a>
IKO	<a href="#">CFKR 80 R</a>
JNS	<a href="#">CF 30-AB</a>