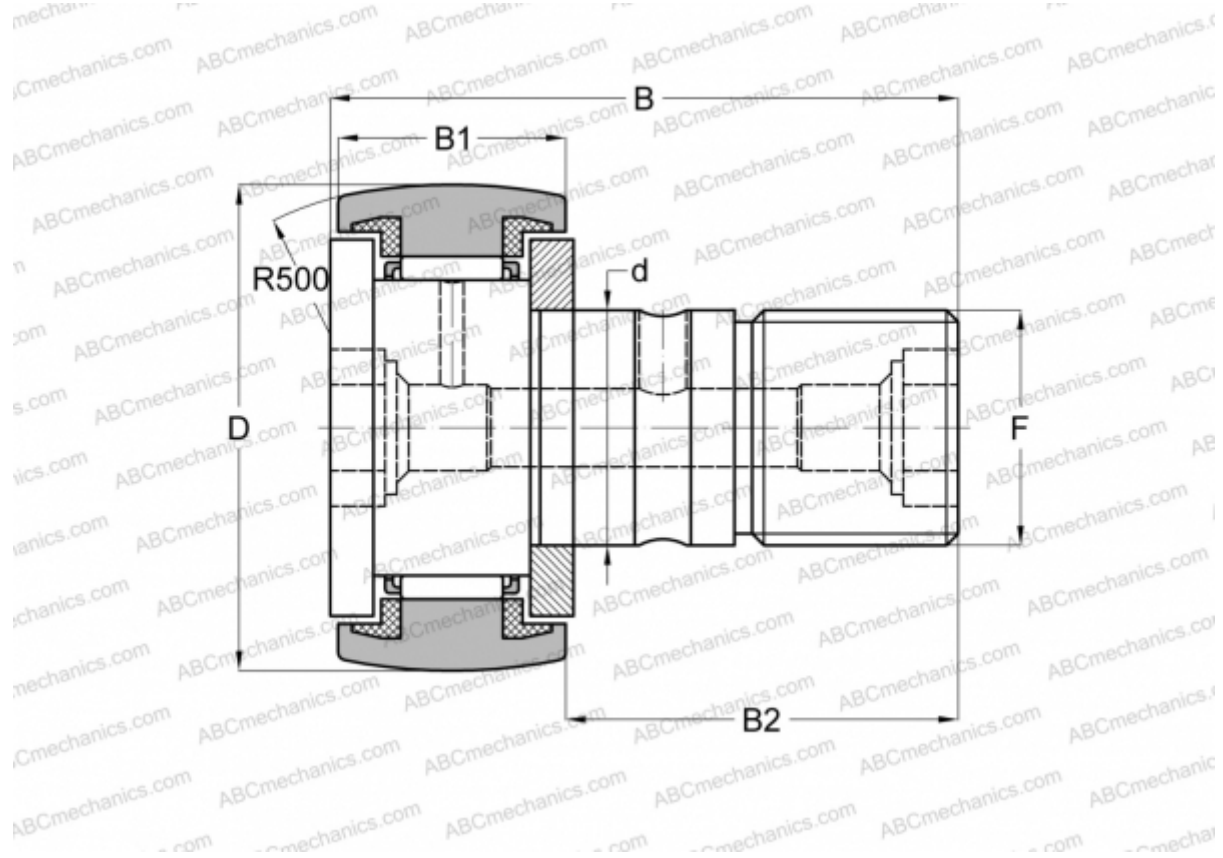


KR 16 C2RS/ NAKD 16 FAG

Cam followers

TYPE: Roller bearings, Stud type track rollers, With axial guidance, sealing rings on both sides



Technical specification

DIMENSIONS, MM

d	6,000
D	16,000
B	28,000
B1	11,000
B2	16,000
F	M6x1

WEIGHT, KG 0,023

MANUFACTURER [FAG](#)

INTERCHANGE

ABC	KR 16 PP
INA	KR 16 PP
SKF	KR 16 PPA
IKO	CF 6 UUR

INTERCHANGE

McGill [MCFR-16-S](#)