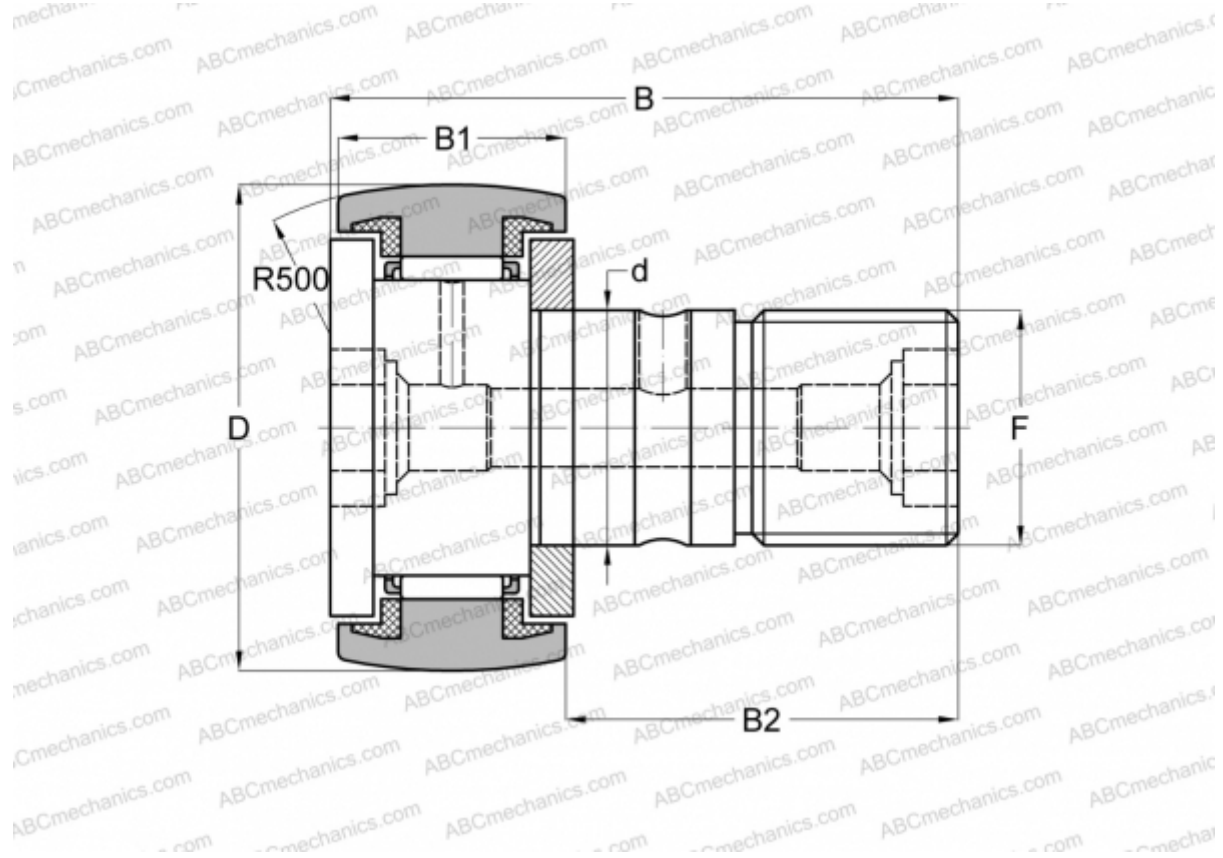


## KR 16 PP INA

Cam followers

TYPE: Roller bearings, Stud type track rollers, With axial guidance, sealing rings on both sides



### Technical specification

#### DIMENSIONS, MM

d	6,000
D	16,000
B	28,000
B1	11,000
B2	16,000
F	M6x1

**WEIGHT, KG** 0,023

**MANUFACTURER** [INA](#)

#### INTERCHANGE

ABC	<a href="#">KR 16 PP</a>
FAG	<a href="#">KR 16 C2RS/ NAKD 16</a>
SKF	<a href="#">KR 16 PPA</a>
IKO	<a href="#">CF 6 UUR</a>

#### INTERCHANGE

McGill [MCFR-16-S](#)