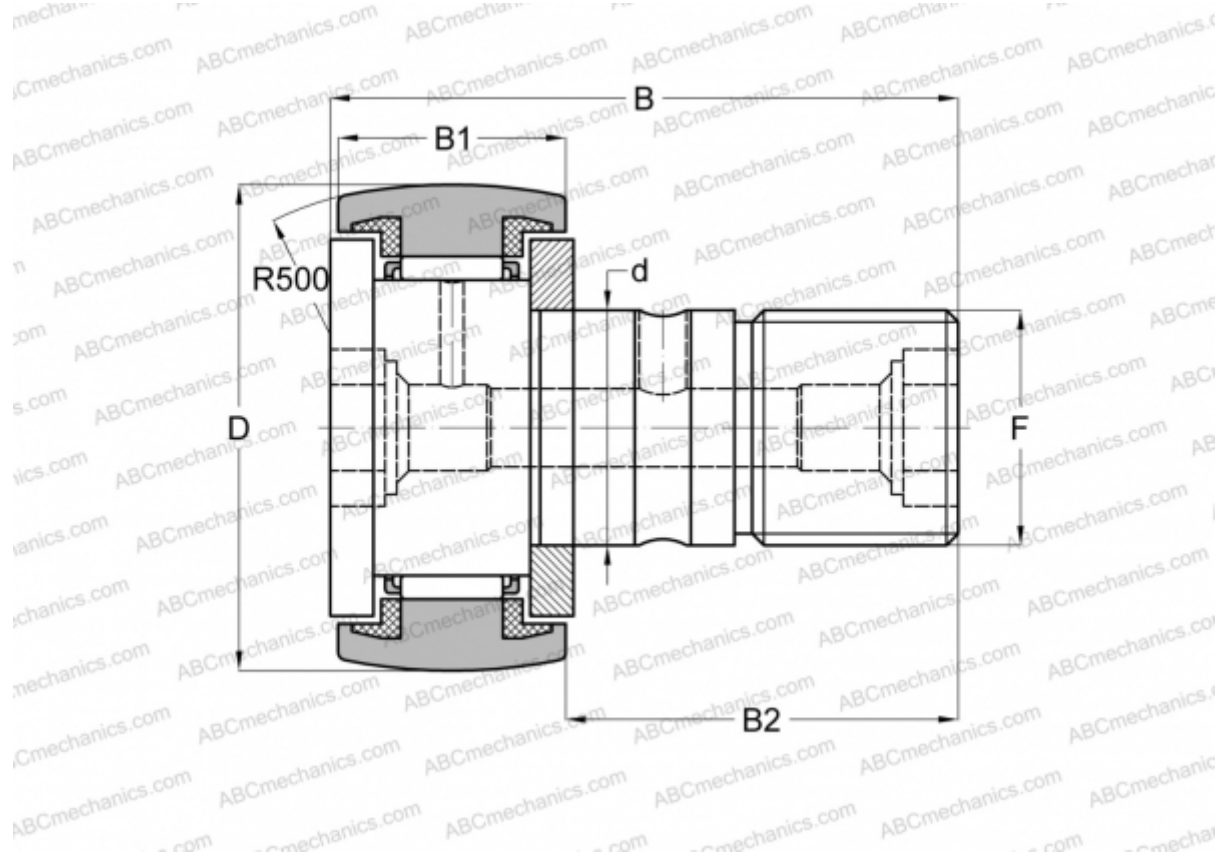


## CF 6 UUR IKO

Cam followers

TYPE: Roller bearings, Stud type track rollers, With axial guidance, sealing rings on both sides



### Technical specification

#### DIMENSIONS, MM

d	6,000
D	16,000
B	28,200
B1	11,000
B2	16,000
F	M6x1

**WEIGHT, KG** 0,019

**MANUFACTURER** [IKO](#)

#### INTERCHANGE

ABC	<a href="#">KR 16 PP</a>
FAG	<a href="#">KR 16 C2RS/ NAKD 16</a>
INA	<a href="#">KR 16 PP</a>
SKF	<a href="#">KR 16 PPA</a>

#### INTERCHANGE

McGill [MCFR-16-S](#)

#### CALCULATION DATA

Basic dynamic load rating, C 3,660 kN

Basic static load rating, Co 3,650 kN