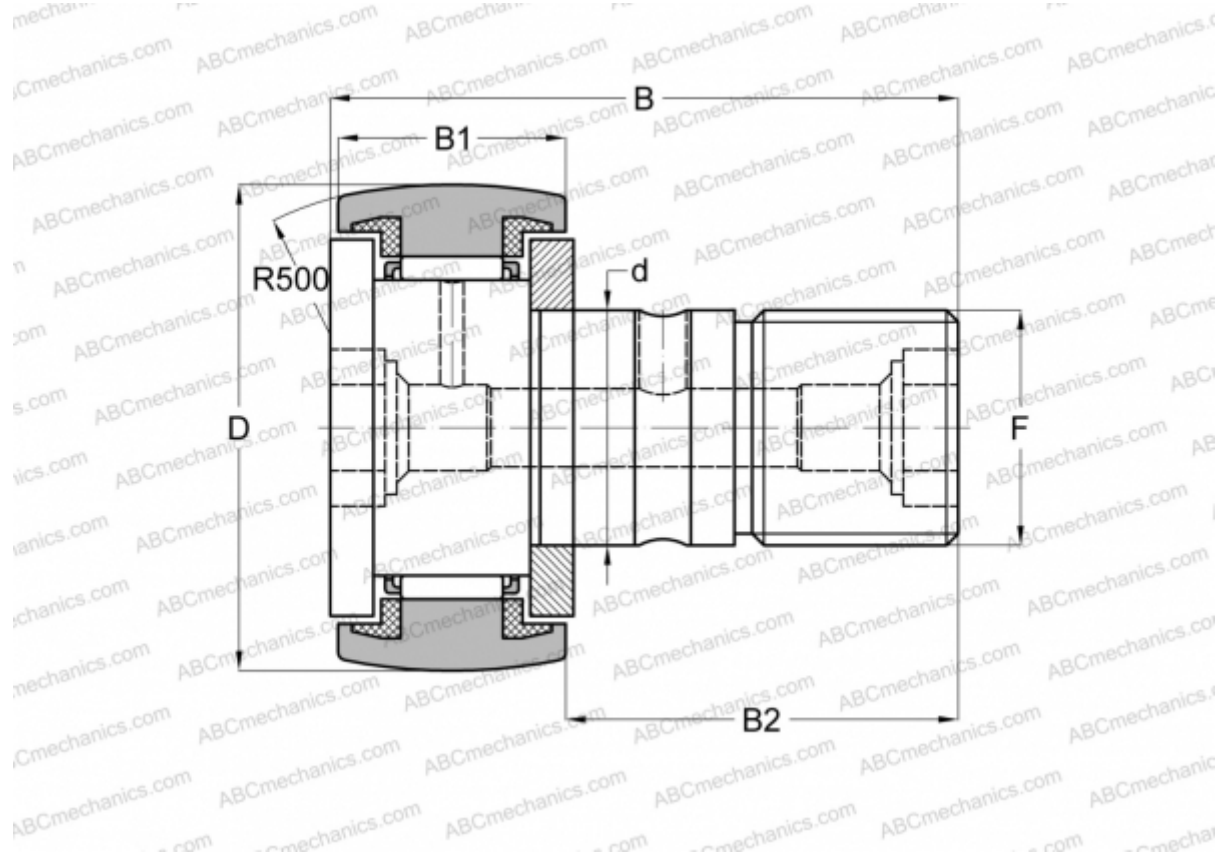


KR 22 PP ABC

Cam followers

TYPE: Roller bearings, Stud type track rollers, With axial guidance, sealing rings on both sides



Technical specification

DIMENSIONS, MM

d	10,000
D	22,000
B	36,000
B1	12,000
B2	23,000
F	M10x1

WEIGHT, KG 0,050

MANUFACTURER [ABC](#)

INTERCHANGE

FAG	KR 22 C2RS/ NAKD 22
INA	KR 22 PP
SKF	KR 22 PPA
IKO	CF 10 UURM

INTERCHANGE

McGill [MCFR-22-S](#)