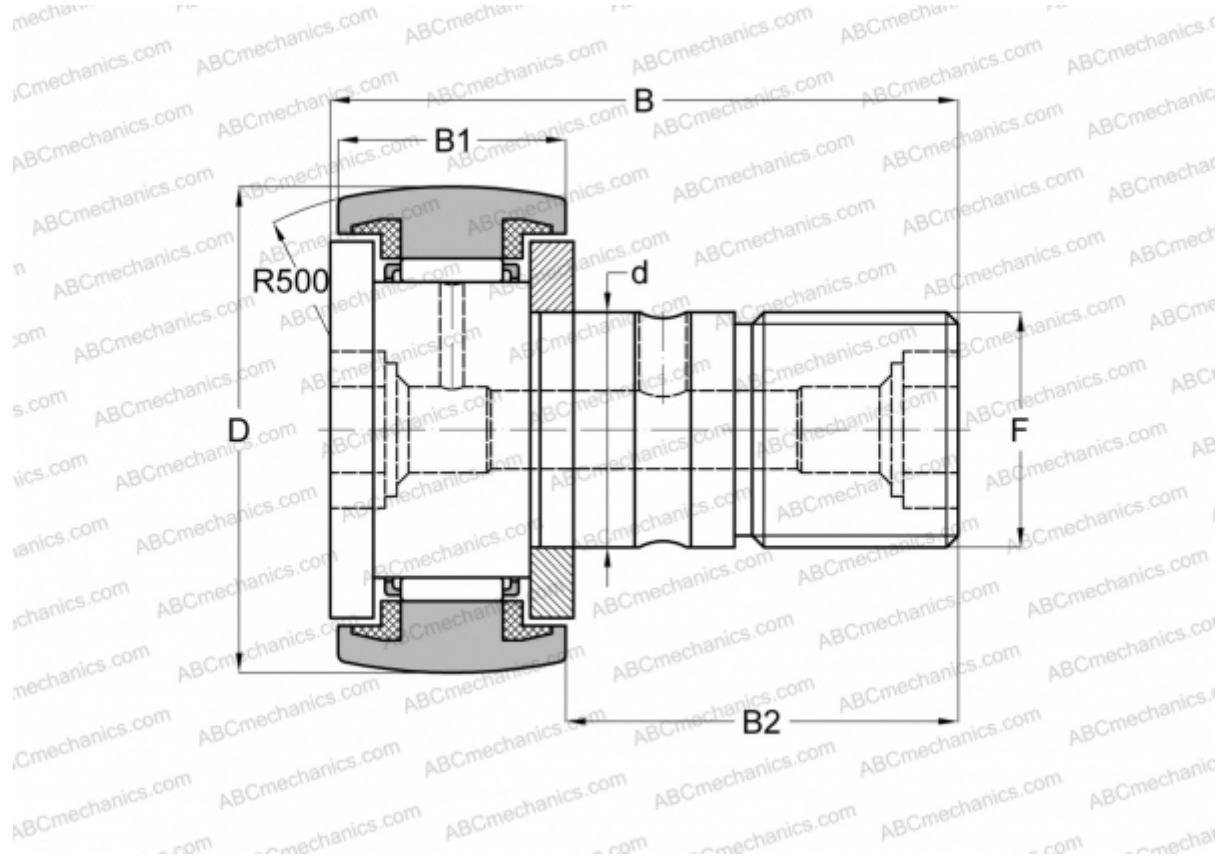


## MCFR-22-S McGill

Cam followers

TYPE: Roller bearings, Stud type track rollers, With axial guidance, sealing rings on both sides



### Technical specification

#### DIMENSIONS, MM

d	10,000
D	22,000
B	36,000
B1	12,000
B2	23,000
F	M10x1

**WEIGHT, KG** 0,050

**MANUFACTURER** [McGill](#)

#### INTERCHANGE

ABC	<a href="#">KR 22 PP</a>
FAG	<a href="#">KR 22 C2RS/ NAKD 22</a>
INA	<a href="#">KR 22 PP</a>
SKF	<a href="#">KR 22 PPA</a>

#### INTERCHANGE

IKO [CF 10 UURM](#)