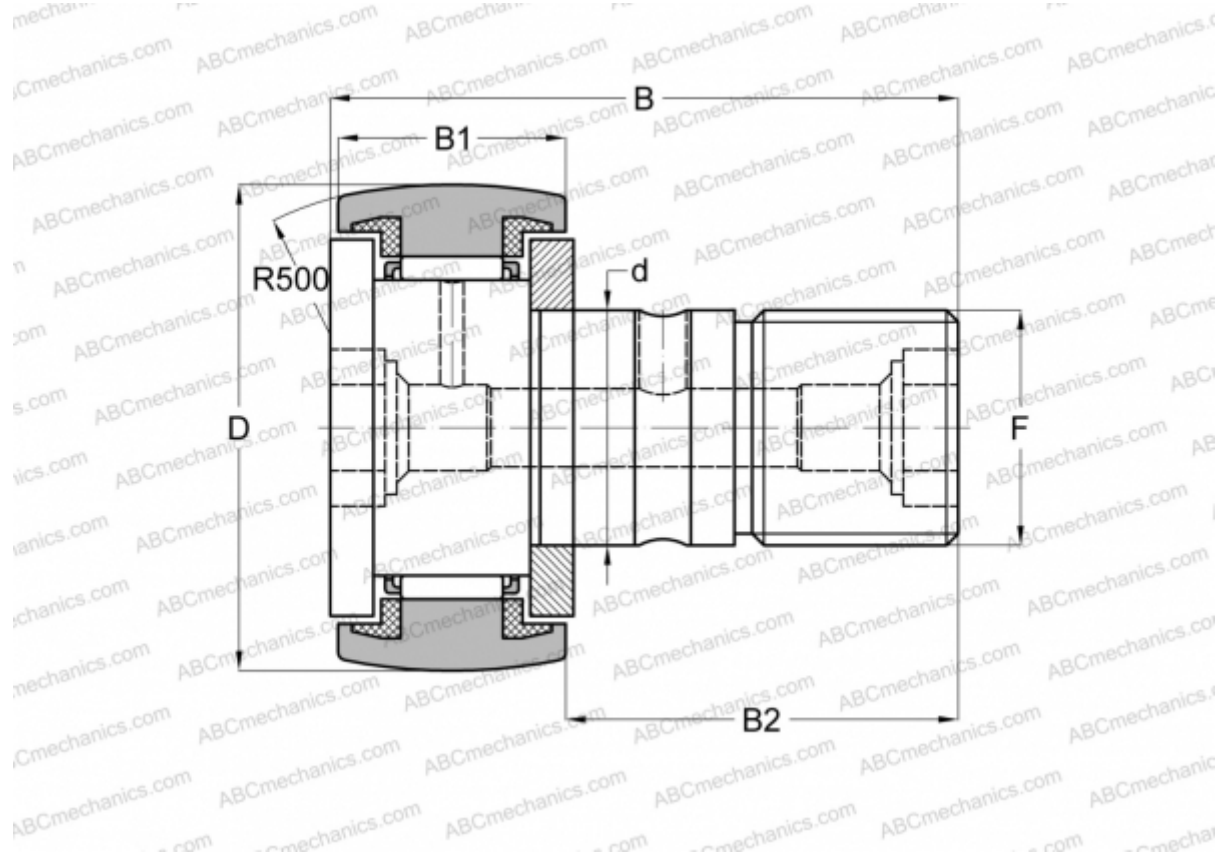


KR 26 PP ABC

Cam followers

TYPE: Roller bearings, Stud type track rollers, With axial guidance, sealing rings on both sides



Technical specification

DIMENSIONS, MM

d	10,000
D	26,000
B	36,000
B1	12,000
B2	23,000
F	M10x1

WEIGHT, KG 0,059

MANUFACTURER [ABC](#)

INTERCHANGE

FAG	KR 26 C2RS/ NAKD 26
INA	KR 26 PP
SKF	KR 26 PPA
IKO	CF 10-1 UURM

INTERCHANGE

McGill [MCFR-26-S](#)