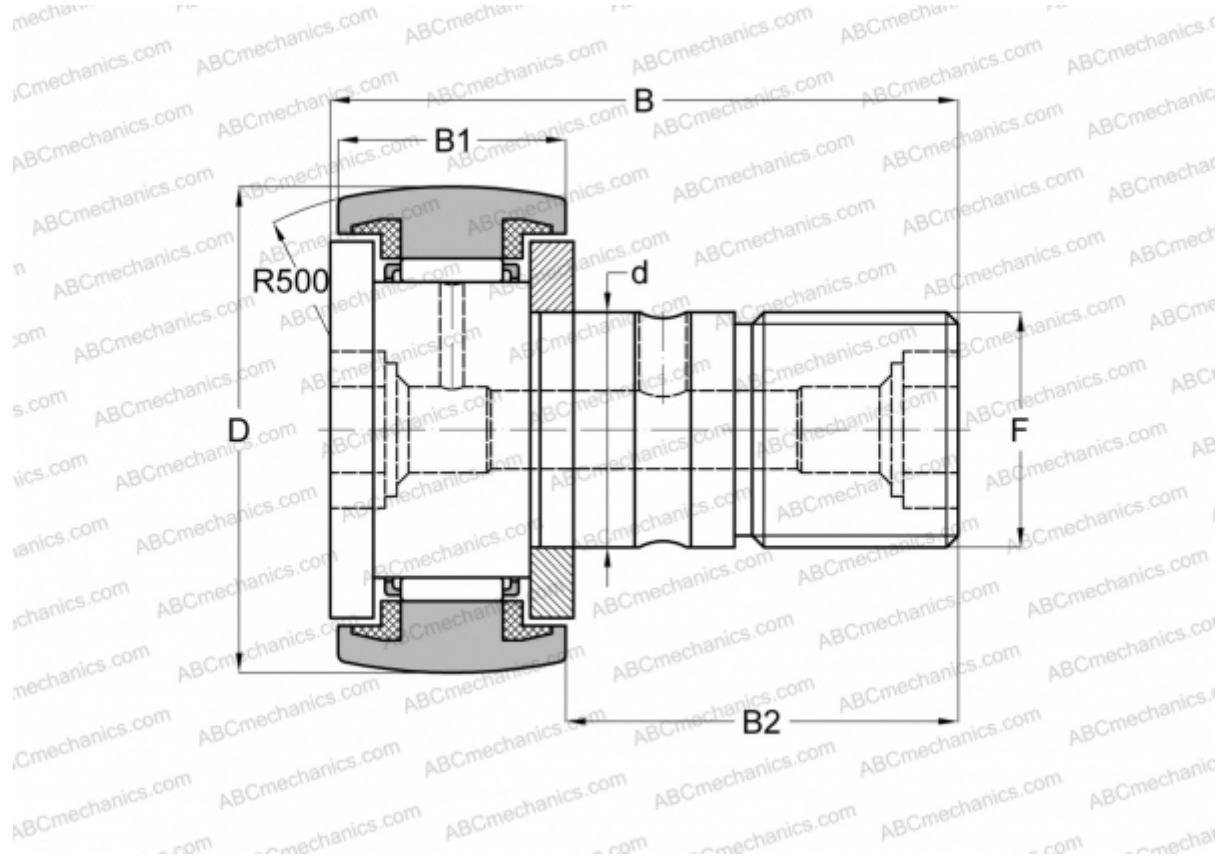


## KR 26 C2RS/ NAKD 26 FAG

Cam followers

TYPE: Roller bearings, Stud type track rollers, With axial guidance, sealing rings on both sides



### Technical specification

#### DIMENSIONS, MM

d	10,000
D	26,000
B	36,000
B1	12,000
B2	23,000
F	M10x1

**WEIGHT, KG** 0,059

**MANUFACTURER** [FAG](#)

#### INTERCHANGE

ABC	<a href="#">KR 26 PP</a>
INA	<a href="#">KR 26 PP</a>
SKF	<a href="#">KR 26 PPA</a>
IKO	<a href="#">CF 10-1 UURM</a>

#### INTERCHANGE

McGill [MCFR-26-S](#)