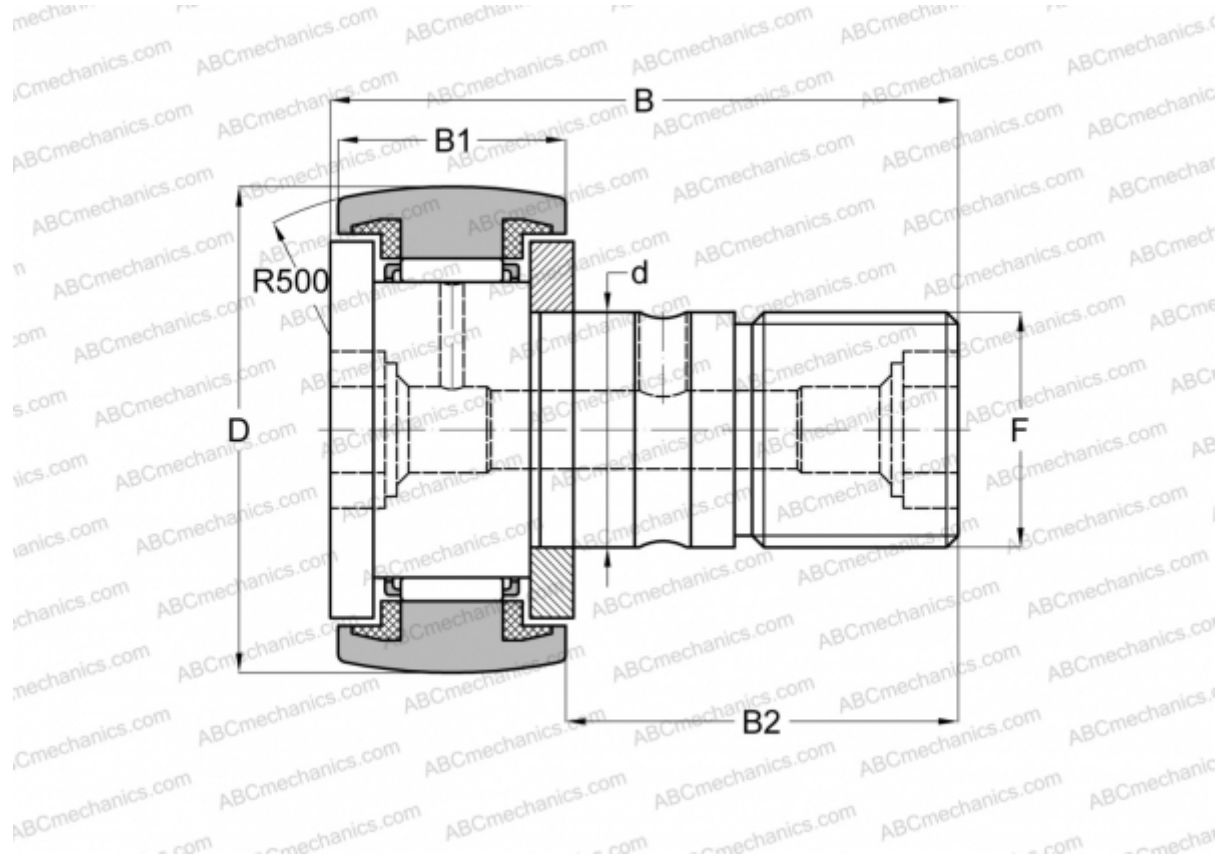


## MCFR-26-S McGill

Cam followers

TYPE: Roller bearings, Stud type track rollers, With axial guidance, sealing rings on both sides



### Technical specification

#### DIMENSIONS, MM

|    |        |
|----|--------|
| d  | 10,000 |
| D  | 26,000 |
| B  | 36,000 |
| B1 | 12,000 |
| B2 | 23,000 |
| F  | M10x1  |

**WEIGHT, KG** 0,059

**MANUFACTURER** [McGill](#)

#### INTERCHANGE

|     |                                     |
|-----|-------------------------------------|
| ABC | <a href="#">KR 26 PP</a>            |
| FAG | <a href="#">KR 26 C2RS/ NAKD 26</a> |
| INA | <a href="#">KR 26 PP</a>            |
| SKF | <a href="#">KR 26 PPA</a>           |

#### INTERCHANGE

IKO [CF 10-1 UURM](#)