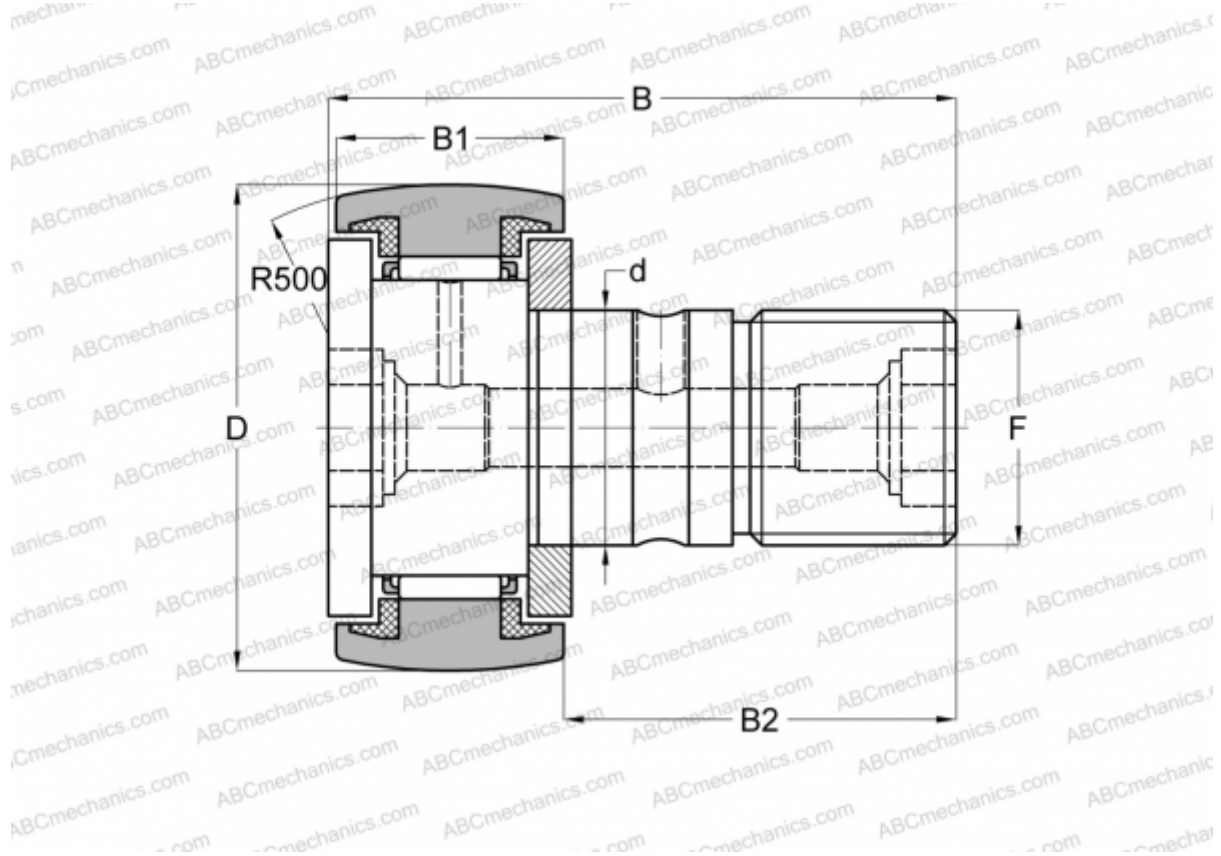


## CF 10 UUR ABC

Cam followers

TYPE: Roller bearings, Stud type track rollers, With axial guidance, sealing rings on both sides



### Technical specification

#### DIMENSIONS, MM

d	10,000
D	22,000
B	36,200
B1	12,000
B2	23,000
F	M10x1.25

**WEIGHT, KG** 0,045

**MANUFACTURER** [ABC](#)

#### INTERCHANGE

IKO	<a href="#">CF 10 UUR</a>
McGill	<a href="#">MCFR-22A-S</a>