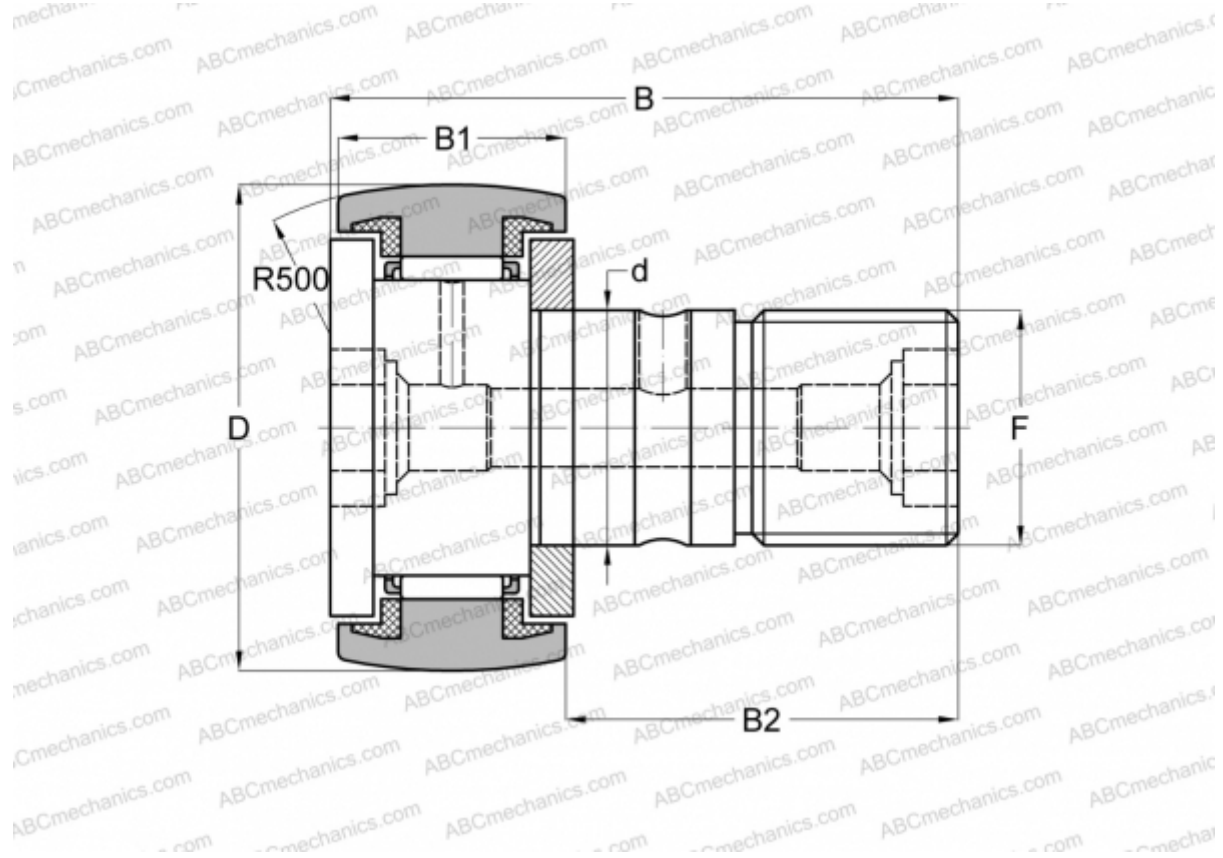


KR 30 PP ABC

Cam followers

TYPE: Roller bearings, Stud type track rollers, With axial guidance, sealing rings on both sides



Technical specification

DIMENSIONS, MM

d	12,000
D	30,000
B	40,000
B1	14,000
B2	25,000
F	M12x1.5

WEIGHT, KG 0,091

MANUFACTURER [ABC](#)

INTERCHANGE

FAG	KR 30 C2RS/ NAKD 30
INA	KR 30 PP
SKF	KR 30 PPA
IKO	CF 12 UUR

INTERCHANGE

McGill [MCFR-30-S](#)