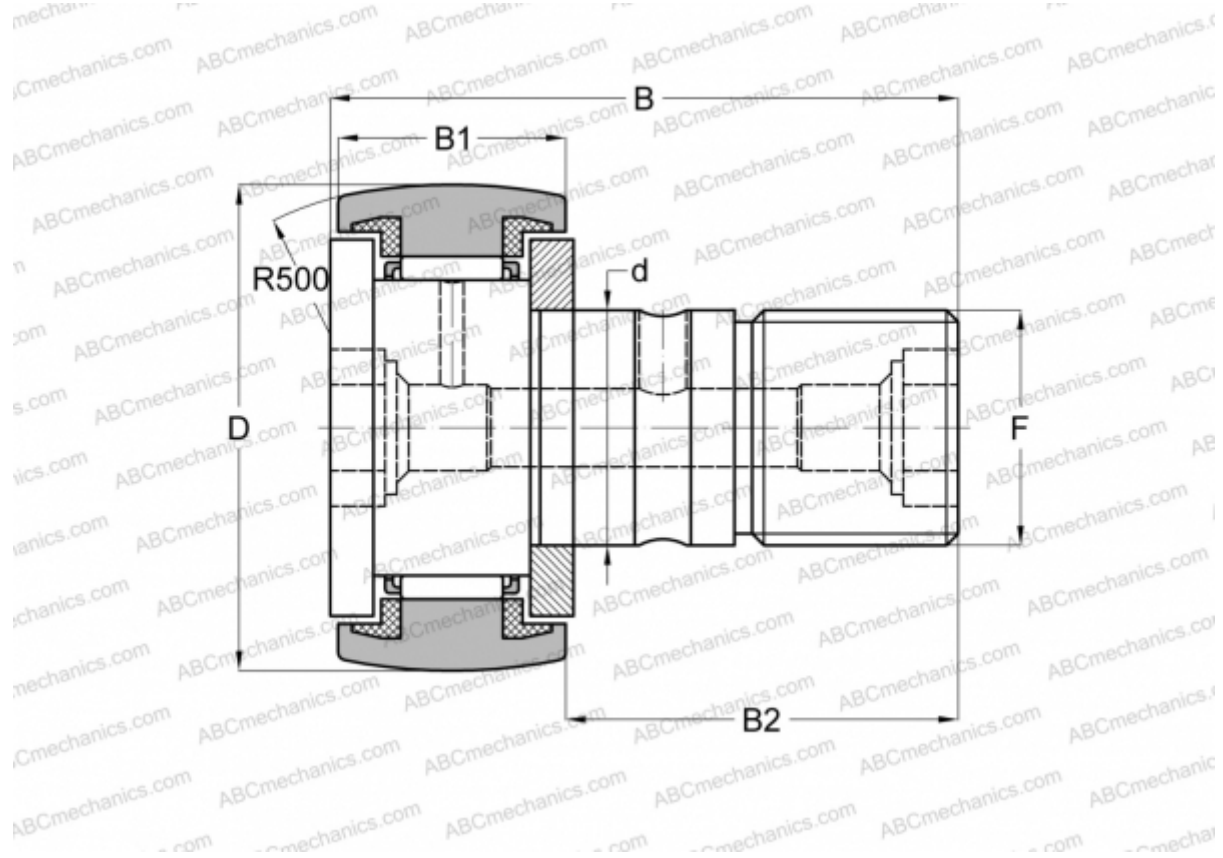


## KR 32 PP ABC

Cam followers

TYPE: Roller bearings, Stud type track rollers, With axial guidance, sealing rings on both sides



### Technical specification

#### DIMENSIONS, MM

|    |         |
|----|---------|
| d  | 12,000  |
| D  | 32,000  |
| B  | 40,000  |
| B1 | 14,000  |
| B2 | 25,000  |
| F  | M12x1.5 |

**WEIGHT, KG** 0,100

**MANUFACTURER** [ABC](#)

#### INTERCHANGE

|     |                                     |
|-----|-------------------------------------|
| FAG | <a href="#">KR 32 C2RS/ NAKD 32</a> |
| INA | <a href="#">KR 32 PP</a>            |
| SKF | <a href="#">KR 32 PPA</a>           |
| IKO | <a href="#">CF 12-1 UUR</a>         |

#### INTERCHANGE

McGill [MCFR-32-S](#)