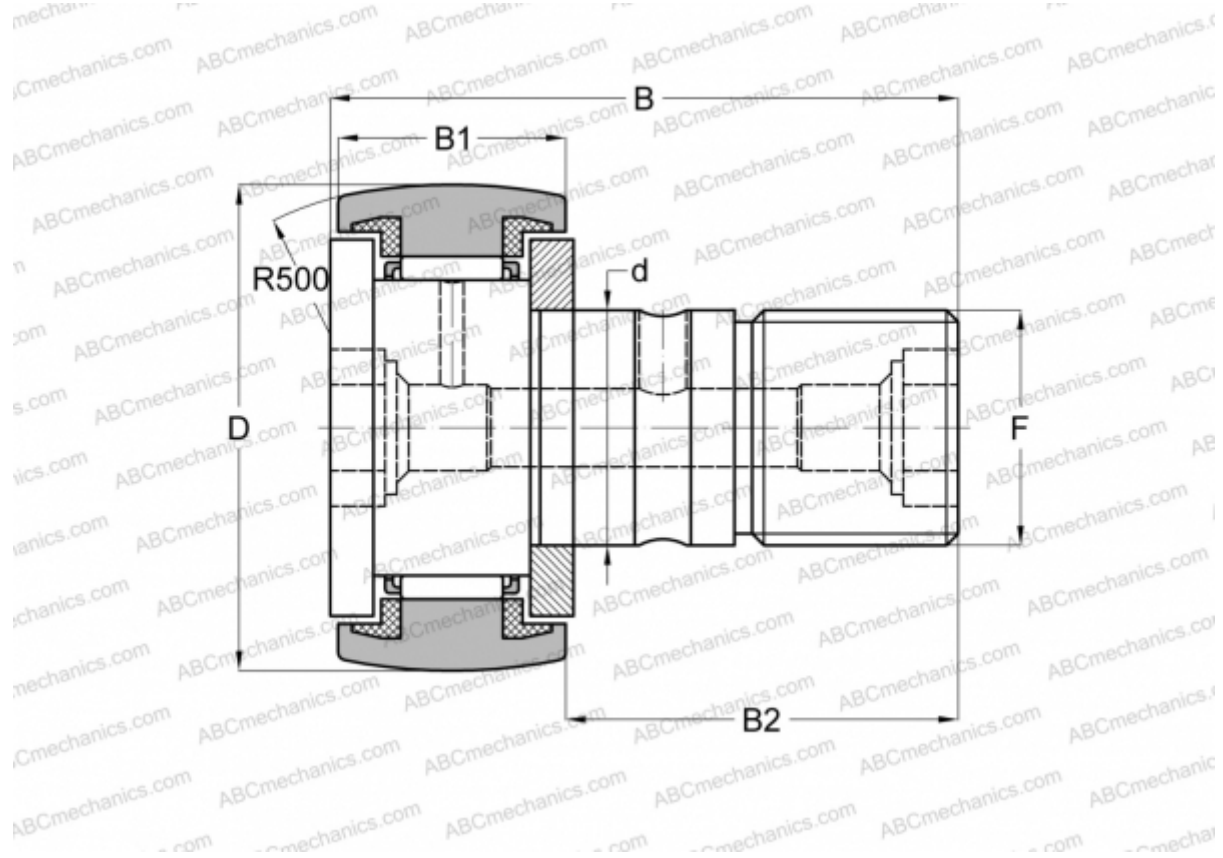


KR 32 C2RS/ NAKD 32 FAG

Cam followers

TYPE: Roller bearings, Stud type track rollers, With axial guidance, sealing rings on both sides



Technical specification

DIMENSIONS, MM

d	12,000
D	32,000
B	40,000
B1	14,000
B2	25,000
F	M12x1.5

WEIGHT, KG 0,100

MANUFACTURER [FAG](#)

INTERCHANGE

ABC	KR 32 PP
INA	KR 32 PP
SKF	KR 32 PPA
IKO	CF 12-1 UUR

INTERCHANGE

McGill [MCFR-32-S](#)