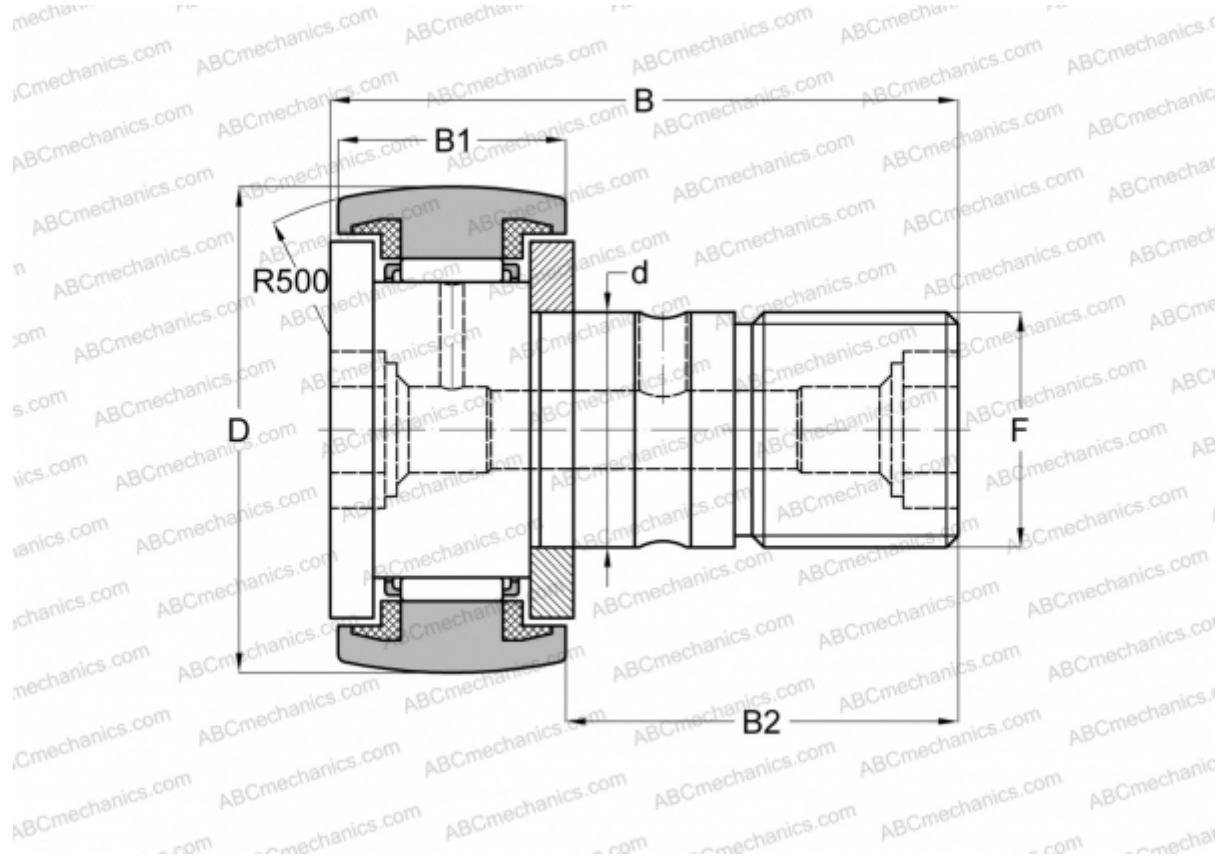


## KR 32 PPA SKF

Cam followers

TYPE: Roller bearings, Stud type track rollers, With axial guidance, sealing rings on both sides



### Technical specification

#### DIMENSIONS, MM

d	12,000
D	32,000
B	40,000
B1	14,000
B2	25,000
F	M 12x1.5

**WEIGHT, KG** 0,098

**MANUFACTURER** [SKF](#)

#### INTERCHANGE

ABC	<a href="#">KR 32 PP</a>
FAG	<a href="#">KR 32 C2RS/ NAKD 32</a>
INA	<a href="#">KR 32 PP</a>
IKO	<a href="#">CF 12-1 UUR</a>

#### INTERCHANGE

McGill [MCFR-32-S](#)

#### CALCULATION DATA

Basic dynamic load rating, C	6,710 kN
Basic static load rating, Co	8,500 kN
Fatigue load limit, Pu	0,950 kN
Limiting speed	4800 r/min